



Single Lever Faucets

B-2710-WS

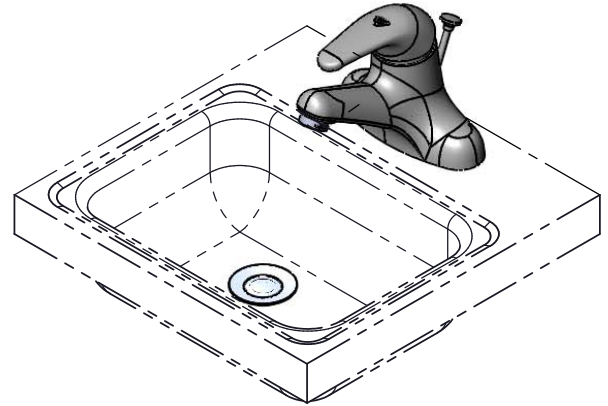
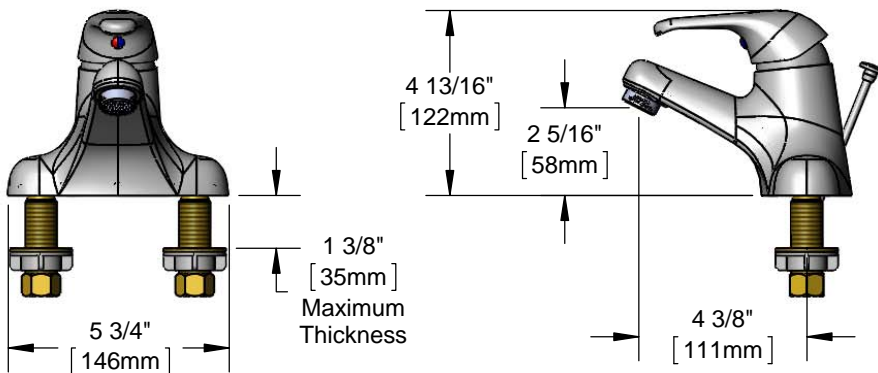
TAG:

4" Centerset Single Lever Faucet

Architect/Engineering Specifications:

4" centerset, deck mount lavatory single lever faucet, polished chrome brass body with integral spout, 1.5 GPM aerator, ceramic cartridge with adjustable temperature limit stop, single lever handle, 1/2" NPSM male inlets with coupling nuts and pop-up drain. Certified to ASME A112.18.1/CSA B125.1, NSF 61-Section 9, NSF 372 and EPA WaterSense. Meets ADA ANSI/ICC A117.1 requirements.

Job Name _____
 Model Specified _____ Quantity _____
 Variations Specified _____
 Date _____



Features & Benefits:

- 4" centerset, deck mount lavatory single lever faucet
- Polished chrome brass body with integral spout
- 1.5 GPM aerator, Series 4 (B-0199-04-WS)
- Single lever handle with color coded index
- Ceramic cartridge with adjustable temperature limit stop
- 1/2" NPSM male inlets with coupling nuts
- Pop-up drain assembly, \varnothing 1 1/4" brass tailpiece
- Mounting hardware and deck gasket
- Material: Polished chrome brass body, chrome plated metal handle and brass drain assembly with chrome plated drain stop

Product Compliance:

- ASME A112.18.1 / CSA B125.1
- NSF 61 - Section 9
- NSF 372 (Low Lead Content)
- ANSI A117.1 (ADA)
- EPA WaterSense



Warranty: One Year (Limited)

- Ceramic Cartridge: Two Year (Limited)



ADA Compliant

Performance Data:

- Pressure: 20 - 125 psi
- Temperature: 40°F - 140°F
- Flow Rate: 1.5 GPM @ 60 psi



Optional Outlets (Series 4 / VR Series 9)

GPM	Aerated	Non-Aerated (Laminar)	VR Aerated	VR Non-Aerated (VR Laminar)
0.35	N/A	<input type="checkbox"/> B-0199-04-N035	N/A	<input type="checkbox"/> B-0199-09-N035
0.5	N/A	<input type="checkbox"/> B-0199-04-N05	N/A	<input type="checkbox"/> B-0199-09-N05
1.0	N/A	N/A	N/A	<input type="checkbox"/> B-0199-09-LF-10
1.5	Standard	N/A	<input type="checkbox"/> B-0199-04-WS	<input type="checkbox"/> B-0199-09-LF-15
2.2	<input type="checkbox"/> B-0199-04	<input type="checkbox"/> B-0199-25	<input type="checkbox"/> B-0199-09	<input type="checkbox"/> B-0199-27



T&S BRASS AND BRONZE WORKS, INC.



• 2 Saddleback Cove • Travelers Rest, SC 29690
 Ph 800-476-4103 • Fax 864-834-3518
 • Simi Valley, CA • Ph 800-423-0150 • www.tsbrass.com

Date: 07/23/16