



Single Lever Faucets

B-2703-LF15

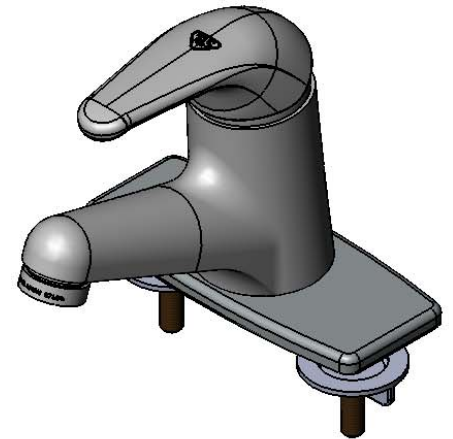
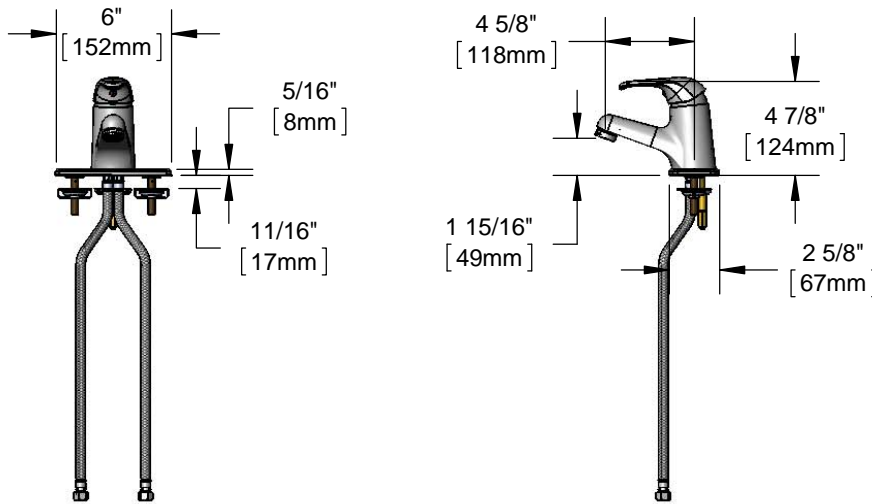
TAG:

Single Lever Faucet

Architect/Engineering Specifications:

Deck mount single lever faucet with deck plate, polished chrome plated brass body with integral spout, 4" centerline deck plate, 1.5 GPM vandal resistant aerator, ceramic cartridge with adjustable temperature limit stop, single lever handle and 16" flexible stainless steel supply hoses with 3/8" O.D. compression connections. Certified to ASME A112.18.1/CSA B125.1, NSF 61-Section 9 and NSF 372. Meets ADA ANSI/ICC A117.1 requirements.

Job Name _____
 Model Specified _____ Quantity _____
 Variations Specified _____
 Date _____



Features & Benefits:

- Deck mount single lever faucet w/ polished chrome plated brass body w/ integral spout
- Polished chrome plated brass body w/ integral spout
- 4" centerline deck plate
- 1.5 GPM vandal resistant aerator, Series 9 (B-0199-LF-15)
- Single lever handle w/ color coded index
- Ceramic cartridge w/ adjustable temperature limit stop
- 16" flexible stainless steel supply hoses with 3/8" O.D. compression connections
- Material: Polished chrome plated brass body & deck plate, chrome plated metal handle and stainless steel hoses

Product Compliance:

- ASME A112.18.1 / CSA B125.1
- NSF 61 - Section 9
- NSF 372 (Low Lead Content)
- ANSI A117.1 (ADA)



Warranty: One Year (Limited)

- Ceramic Cartridge: Two Year (Limited)

Performance Data:

- Pressure: 20 - 125 psi
- Temperature: 40 °F - 140 °F
- Flow Rate: 1.5 GPM @ 60 psi



ADA Compliant

Optional Outlets (Series 4 / VR Series 9)

| GPM | Aerated | Non-Aerated (Laminar) | VR Aerated | VR Non-Aerated (VR Laminar) |
|------|---------------------------------------|---|---------------------------------------|--|
| 0.35 | N/A | <input type="checkbox"/> B-0199-04-N035 | N/A | <input type="checkbox"/> B-0199-09-N035 |
| 0.5 | N/A | <input type="checkbox"/> B-0199-04-N05 | N/A | <input type="checkbox"/> B-0199-09-N05 |
| 1.0 | N/A | N/A | N/A | <input type="checkbox"/> B-0199-09-LF-10 |
| 1.5 | <input type="checkbox"/> B-0199-04-WS | N/A | <input type="checkbox"/> B-0199-09-WS | Standard |
| 2.2 | <input type="checkbox"/> B-0199-04 | <input type="checkbox"/> B-0199-25 | <input type="checkbox"/> B-0199-09 | <input type="checkbox"/> B-0199-27 |



T&S BRASS AND BRONZE WORKS, INC.



• 2 Saddleback Cove • Travelers Rest, SC 29690
 Ph 800-476-4103 • Fax 864-834-3518
 • Simi Valley, CA • Ph 800-423-0150 • www.tsbrass.com

Date: 05/07/16