



### Pot Filler with Quick Disconnect

#### Architect/Engineering Specifications:

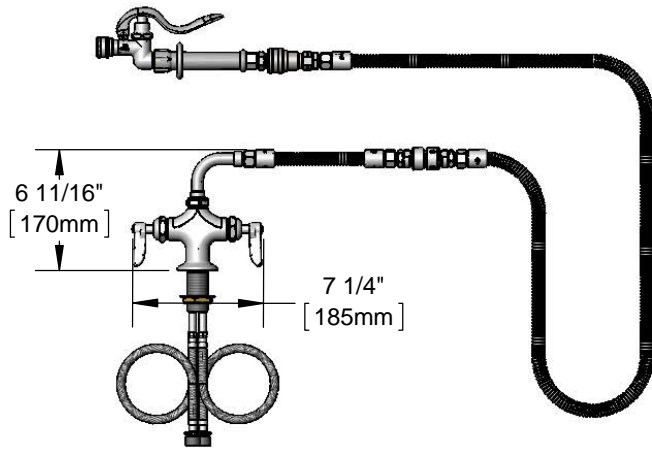
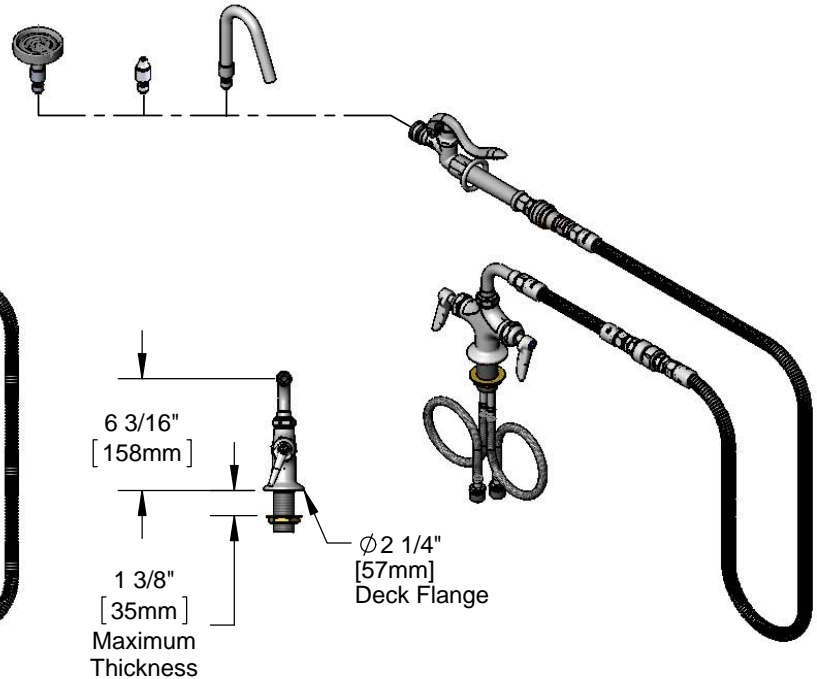
Single hole deck mount mixing faucet with polished chrome plated brass body, 72" flexible stainless steel hose with heat resistant handle, vacuum breaker and quick disconnect, spray valve with quick disconnect spray head, quick disconnect jet spray and quick disconnect hook nozzle, ceramic cartridges with check valves, lever handles, 18" flexible stainless steel supply hoses w/ 1/2" NPSM / 5/8" O.D compression connections, swivel adapter arm and wall hook. Certified to ASME A112.18.1/CSA B125.1, NSF 61-Section 9 and NSF 372. EPAct 2005 compliant (B-1421 Spray Head Only)

Job Name \_\_\_\_\_

Model Specified \_\_\_\_\_ Quantity \_\_\_\_\_

Variations Specified \_\_\_\_\_

Date \_\_\_\_\_



#### Features & Benefits:

- Single hole deck mount mixing faucet w/ polished chrome plated brass body
- 72" flexible stainless steel hose w/ heat resistant gray handle, vacuum breaker, quick disconnect and hold down ring
- Spray valve w/ quick disconnect socket
- Quick disconnect spray head, jet spray and hook nozzle spray accessories
- Quarter-turn Cerama cartridges with check valves to prevent cross flow of water
- Lever handles w/ color coded indexes
- 18" flexible stainless steel supply hoses w/ 1/2" NPSM / 5/8" O.D compression connections
- 90° swivel adapter arm
- Material: Polished chrome plated brass body, swivel adapter arm & spray valve body, stainless steel hose and chrome plated metal handles

#### Product Compliance:

- ASME A112.18.1 / CSA B125.1
- NSF 61 - Section 9
- NSF 372 (Low Lead Content)
- EPAct 2005 (PRSV) B-1421 Only



#### Warranty: One Year (Limited)

- Cerama Cartridge: Lifetime (Limited)

#### Performance Data:

- Pressure: 20 - 125 psi
- Temperature: 40 °F - 140 °F
- Flow Rate:
  - Spray Head: 1.42 GPM @ 60 psi
  - Fan Jet Spray: 3.25 GPM @ 60 psi
  - Hook Nozzle: 2.71 GPM @ 60 psi

#### Optional Handles

- 4" Wrist Action
- Lever (Standard)
- 4-Arm

#### Optional Cartridges With Checks

- Quarter-Turn Cerama w/ Check Valve (Standard)
- Quarter-Turn Eterna w/ Spring Check

