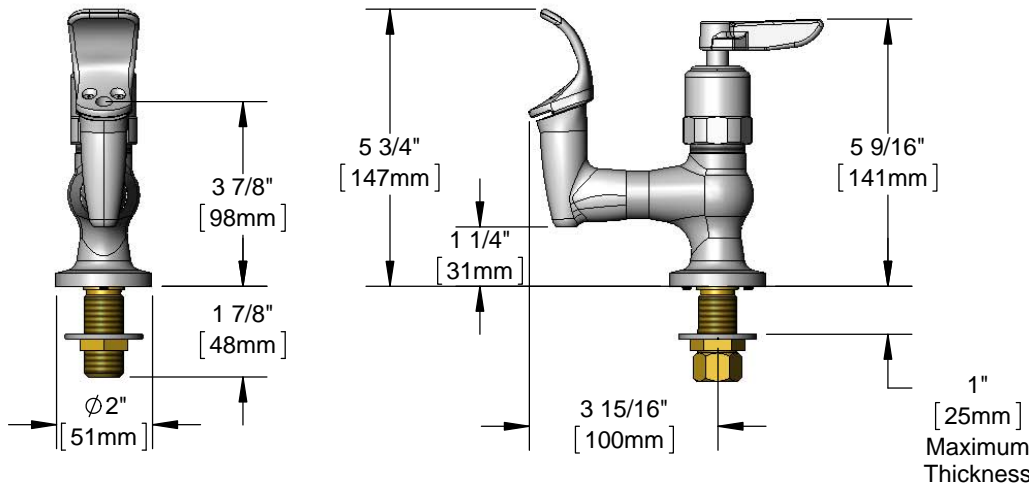
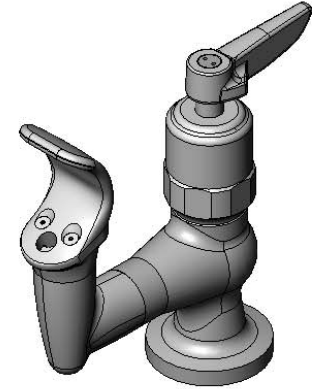




**Architect/Engineering Specifications:**

Deck mount bubbler with polished chrome plated brass body and mouth guard, adjustable outlet flow control, fast self-closing cartridge, lever handle, 1/2" NPSM male inlet with coupling nut and anti-rotation screws. Certified to ASME A112.18.1/CSA B125.1, NSF 61-Section 9 and NSF 372. Meets ADA ANSI/ICC A117.1 requirements.

Job Name \_\_\_\_\_  
 Model Specified \_\_\_\_\_ Quantity \_\_\_\_\_  
 Variations Specified \_\_\_\_\_  
 Date \_\_\_\_\_



**Features & Benefits:**

- Deck mount bubbler with polished chrome plated brass body and mouth guard
- Hidden flow control screw provides adjustable outlet flow
- Fast self-closing cartridge
- Lever handle w/ vandal resistant screw
- 1/2" NPSM male inlet with coupling nut
- Mounting flange w/ anti-rotation set screws
- Material: Polished chrome plated brass body & mouth guard and chrome plated metal handle

**Product Compliance:**

- ASME A112.18.1 / CSA B125.1
- NSF 61 - Section 9
- NSF 372 (Low Lead Content)
- ANSI A117.1 (ADA)



**Warranty:** One Year (Limited)

**Performance Data:**

- Pressure: 20 - 125 psi
- Temperature: 40 °F - 140 °F
- Flow Rate:
  - @ 4" Distance = 0.32 GPM @ 60 psi
  - @ 8" Distance = 0.43 GPM @ 60 psi



**Optional Cartridges**

- Push Button Metering
- Wrist Action Metering
- Pivot Action Metering
- Fast Self-Closing (Standard)

