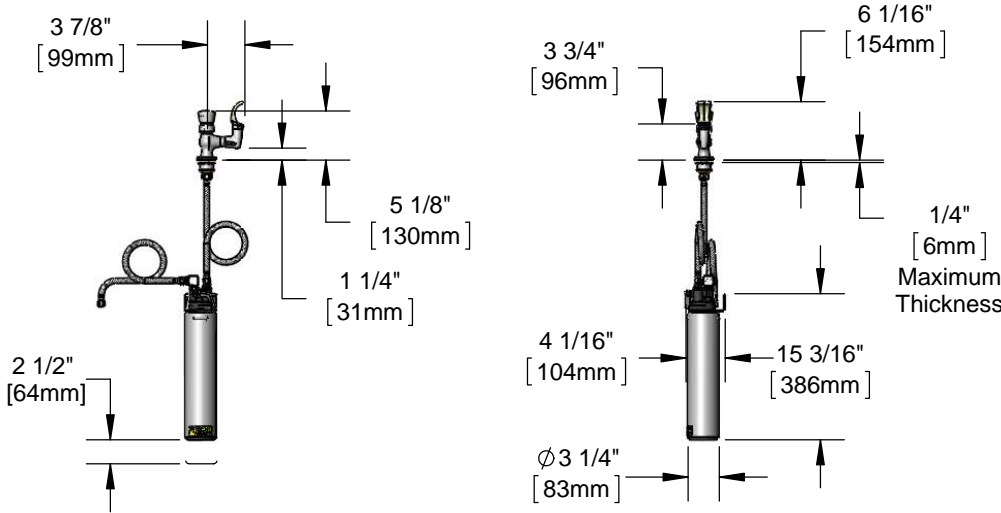




Architect/Engineering Specifications:

Deck mount bubbler with polished chrome plated brass body and flexible rubber mouth guard, adjustable outlet flow control, metering cartridge, push button cap, water filtration cartridge and 1/2" NPSM male inlet with coupling nut. Certified to ASME A112.18.1/CSA B125.1, NSF 61-Section 9, and NSF 372. Meets ADA ANSI/ICC A117.1 requirements.

Job Name	_____
Model Specified	_____ Quantity _____
Variations Specified	_____
Date	_____



Features & Benefits:

- Deck mount bubbler with polished chrome plated brass body and flexible rubber mouth guard
- Hidden flow control screw provides adjustable outlet flow
- Metering cartridge
- Adjustable metering cycle, 10 to 30 seconds
- Cold push button cap
- 3/8" compression female inlet
- Mounting flange can provide anti-rotation feature w/ optional set screws
- Replaceable water filtration cartridge & docking station
- Material: Polished chrome plated brass body, flexible rubber mouth guard, chrome plated metal handle

Optional Cartridges

- Wrist Action Metering
- Pivot Action Metering
- Push Button Metering (Standard)
- Fast Self-Closing

Product Compliance:

- ASME A112.18.1 / CSA B125.1
- NSF 61 - Section 9
- NSF 372 (Low Lead Content)
- ANSI A117.1 (ADA)

Warranty: One Year (Limited)

Performance Data:

- Pressure: 20 - 125 psi
- Temperature: 40 °F - 140 °F
- Flow Rate:
 - @ 4" Distance = 0.32 GPM @ 60 psi
 - @ 8" Distance = 0.43 GPM @ 60 psi



ADA Compliant

