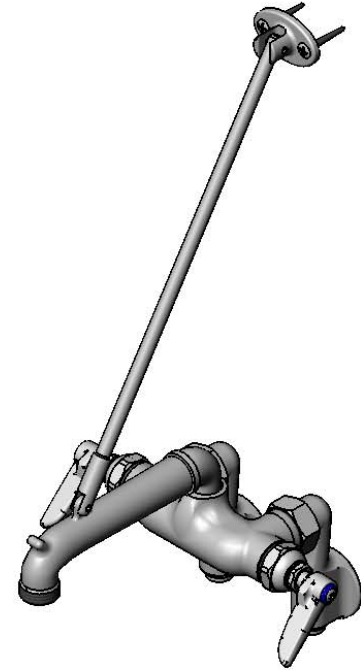
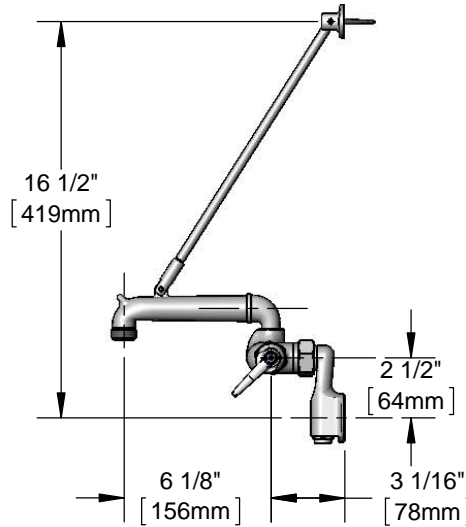
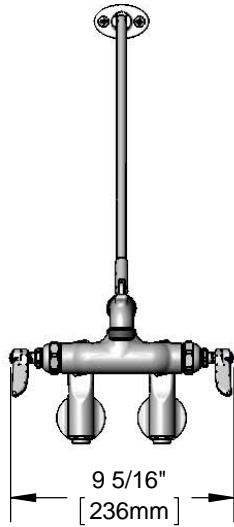




### Architect/Engineering Specifications:

Wall mount mixing faucet with polished chrome plated brass body, polished chrome plated brass spout with pail hook and garden hose male outlet, compression cartridges with spring checks, lever handles, 1/2" NPT female adjustable inlets with built-in service stops and upper support rod. Certified to ASME A112.18.1/CSA B125.1, NSF 61 Section-9 and NSF 372. Meets ADA ANSI/ICC A117.1 requirements.

Job Name \_\_\_\_\_  
 Model Specified \_\_\_\_\_ Quantity \_\_\_\_\_  
 Variations Specified \_\_\_\_\_  
 Date \_\_\_\_\_



### Features & Benefits:

- Wall mount mixing faucet with polished chrome plated brass body
- Spout with pail hook & 3/4" garden hose male outlet
- Lever handles with color coded indexes
- Eterna cartridges with spring checks to prevent cross flow of water
- 1/2" NPT female adjustable arm inlets with Ø2" flanges and built-in service stops
- Adjustable centers from 2 1/4" to 8 1/4" above or below centerline
- Upper support rod
- Material: Polished chrome plated brass body & spout and chrome plated metal handles

### Product Compliance:

- ASME A112.18.1 / CSA B125.1
- NSF 61 - Section 9
- NSF 372 (Low Lead Content)
- ANSI A117.1 (ADA)

**Warranty:** One Year (Limited)

### Performance Data:

- Pressure: 20 - 125 psi
- Temperature: 40 °F - 140 °F
- Flow Rate: 16.30 GPM @ 60 psi



**ADA Compliant**

### Optional Handles

- 4" Wrist Action
- Lever (Standard)
- 4-Arm

### Optional Cartridges With Checks

- Quarter Turn Cerama w/ Check Valve
- Quarter Turn Eterna w/ Spring Check (Standard)

