



Medical and Lavatory Faucets

B-2320

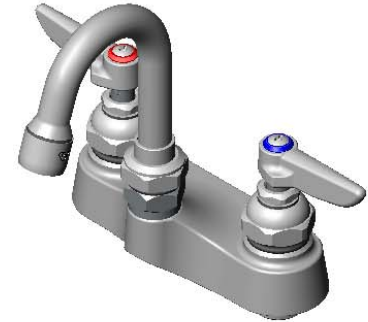
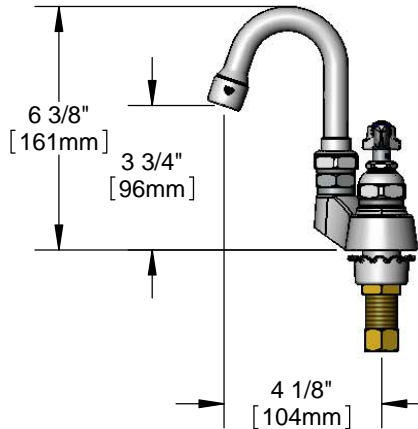
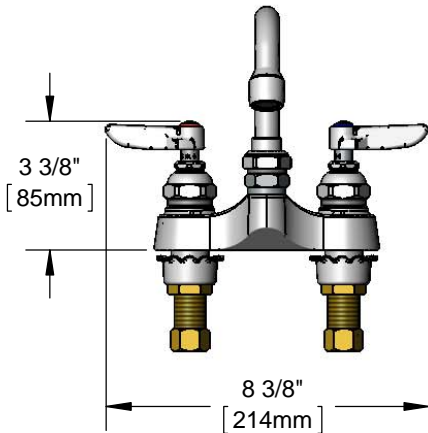
TAG:

Lavatory Faucet

Architect/Engineering Specifications:

4" centerset deck mount lavatory faucet with polished chrome plated brass cast body, Swivel gooseneck with 2.2 GPM aerator, compression cartridges, lever handles, and 1/2" NPSM male inlets with coupling nuts. Certified to ASME A112.18.1/CSA B125.1, NSF 61-Section 9, and NSF 372. Meets ADA ANSI/ICC A117.1 requirements.

Job Name _____
 Model Specified _____ Quantity _____
 Variations Specified _____
 Date _____



Features & Benefits:

- 4" centerset deck mount lavatory faucet with polished chrome plated brass cast body
- Swivel gooseneck w/ 2.2 GPM aerator, Series 1 (B-0199-01)
- Eterna compression cartridges
- Lever handles with color coded indexes
- 1/2" NPSM male inlets with coupling nuts
- Material: Polished chrome plated brass cast body, chrome plated tubular spout & chrome plated metal handles

Product Compliance:

- ASME A112.18.1 / CSA B125.1
- NSF 61 - Section 9
- NSF 372 (Low Lead Content)
- ANSI A117.1 (ADA)



Warranty: One Year (Limited)

Performance Data:

- Pressure: 20 - 125 psi
- Temperature: 40°F - 140°F
- Flow Rate: 2.2 GPM @ 60 psi



Optional Outlets (Series 1/ VR Series 6)

GPM	Aerated	Non-Aerated (Laminar)	VR Aerated	VR Non-Aerated (VR Laminar)	Optional Cartridges	Optional Handles
0.35	N/A	<input type="checkbox"/> B-0199-01-N035	N/A	<input type="checkbox"/> B-0199-06-N035	<input type="checkbox"/> Quarter Turn Cerama	<input type="checkbox"/> 4" Wrist Action
0.5	N/A	<input type="checkbox"/> B-0199-01-N05	N/A	<input type="checkbox"/> B-0199-06-N05	<input type="checkbox"/> Eterna (Standard)	<input type="checkbox"/> Lever (Standard)
1.0	<input type="checkbox"/> B-0199-01-F10	N/A	<input type="checkbox"/> B-0199-06-F10	N/A	<input type="checkbox"/> Quarter Turn Eterna	<input type="checkbox"/> 4-Arm
1.5	<input type="checkbox"/> B-0199-01-WS	<input type="checkbox"/> B-0199-29	<input type="checkbox"/> B-0199-06-WS	<input type="checkbox"/> B-0199-29VR	<input type="checkbox"/> Push Button Metering	
2.2	Standard	<input type="checkbox"/> B-0199-21	<input type="checkbox"/> B-0199-06	<input type="checkbox"/> B-0199-21-VRF	<input type="checkbox"/> Pivot Action Metering	
					<input type="checkbox"/> Wrist Action Metering	



T&S BRASS AND BRONZE WORKS, INC.



• 2 Saddleback Cove • Travelers Rest, SC 29690
 Ph 800-476-4103 • Fax 864-834-3518
 • Simi Valley, CA • Ph 800-423-0150 • www.tsbrass.com

Date: 02/02/15