



Architect/Engineering Specifications:

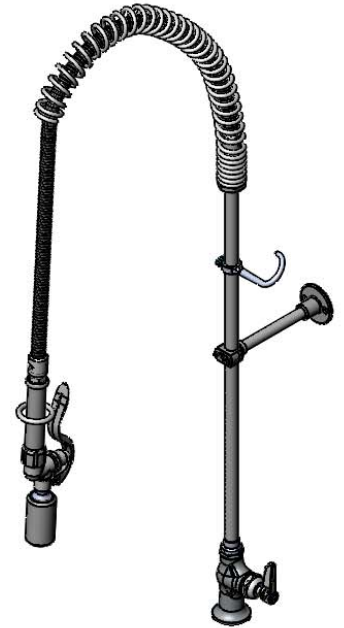
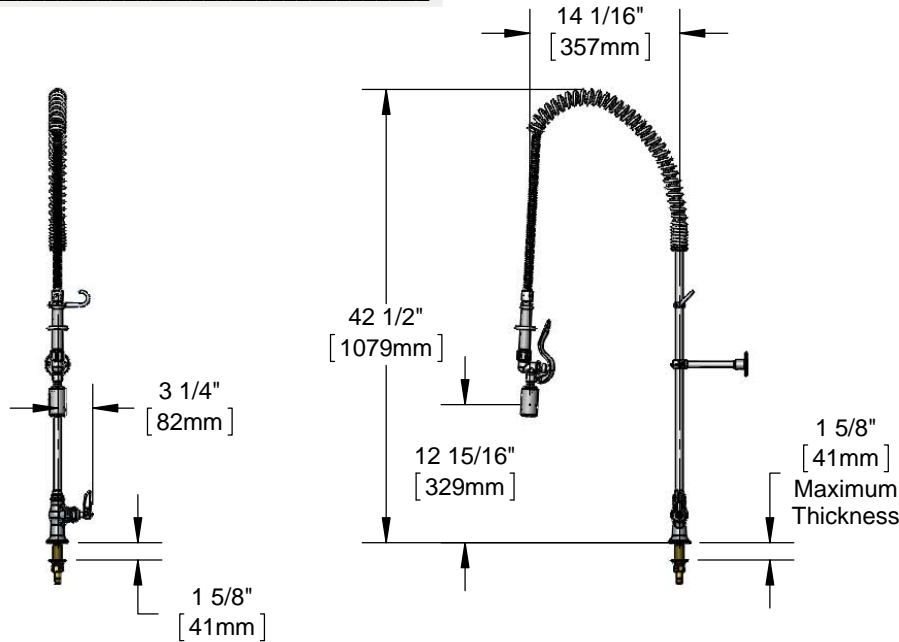
Single hole single temperature deck mount faucet with polished chrome plated brass body, 24" riser, 44" flexible stainless steel hose with heat resistant handle, 0.65 GPM low flow spray valve, 6" wall bracket, ceramic cartridge, lever handle, 1/2" NPSM male inlet and spray valve holder. Certified to ASME A112.18.1/CSA B125.1, NSF 61-Section 9 and NSF 372. EPAAct 2005 compliant.

Job Name _____

Model Specified _____ Quantity _____

Variations Specified _____

Date _____



Features & Benefits:

- Single hole single temperature deck mount faucet w/ polished chrome plated brass body
- EasyInstall riser for quick installation
- 44" flexible stainless steel hose w/ heat resistant gray handle and hold down ring
- 0.65 GPM Low flow spray valve
- 6" wall bracket
- Quarter-turn Cerama cartridge
- Lever handle w/ color coded index
- 1/2" NPSM male inlet
- Tailpiece and nut for 1/4" NPT male connection
- Material: Polished chrome plated brass body, riser & spray valve body, stainless steel hose and chrome plated metal handle

Product Compliance:

- ASME A112.18.1 / CSA B125.1
- NSF 61 - Section 9
- NSF 372 (Low Lead Content)
- EPAAct 2005 (PRSV)
- EPA WaterSense (PRSV)

Warranty: Three Year (Limited)

Performance Data:

- Pressure: 20 - 125 psi
- Temperature: 40 °F - 140 °F
- Flow Rate: 0.65 GPM @ 60 psi

Optional Handles

- 4" Wrist Action
- Lever (Standard)
- 4-Arm

Optional Cartridges

- Quarter-Turn Cerama (Standard)
- Eterna
- Quarter-Turn Eterna

Optional Pre-Rinse Spray Valves

- B-0107 (1.42 GPM)
- B-0107-C (0.65 GPM) (Standard)
- B-0107-J (1.07 GPM)
- B-0108 (1.48 GPM)
- B-0108-C (0.65 GPM)

