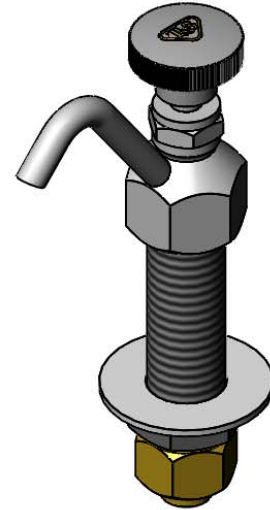
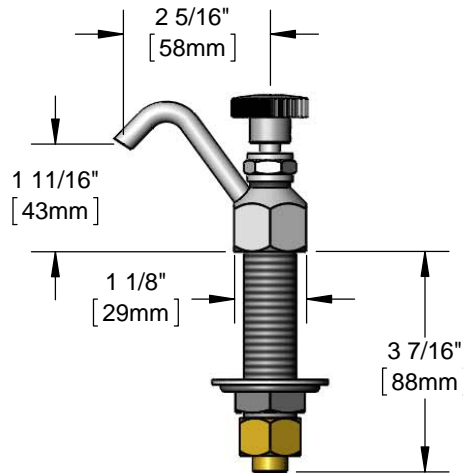
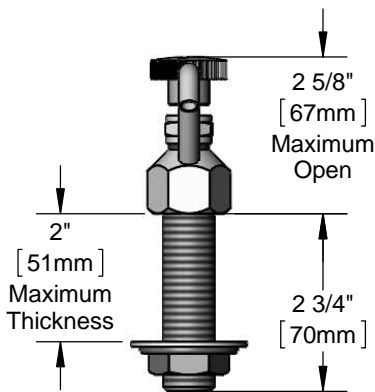




Architect/Engineering Specifications:

Dipperwell faucet with polished chrome plated brass body with 0.40 GPM flow control tower, spout, polished chrome plated knob and 1/2" NPSM male inlet with 5/16" I.D. sweat fitting connection. Certified to ASME A112.18.1/CSA B125.1, NSF 61-Section 9 and NSF 372.

Job Name _____
 Model Specified _____ Quantity _____
 Variations Specified _____
 Date _____



Features & Benefits:

- Dipperwell faucet with polished chrome plated brass body with spout
- 0.40 GPM flow control tower
- Polished chrome plated brass knob
- 1/2" NPSM male inlet with 5/16" I.D. sweat fitting connection
- Material: Polished chrome plated brass body, tubular spout & knob

Product Compliance:

- ASME A112.18.1 / CSA B125.1
- NSF 61 - Section 9
- NSF 372 (Low Lead Content)

Warranty: One Year (Limited)

Performance Data:

- Pressure: 20 - 125 psi
- Temperature: 40 °F - 140 °F
- Flow Rate: 0.40 GPM @ 60 psi

