



Dipperwell Faucets

B-2282-01-F05

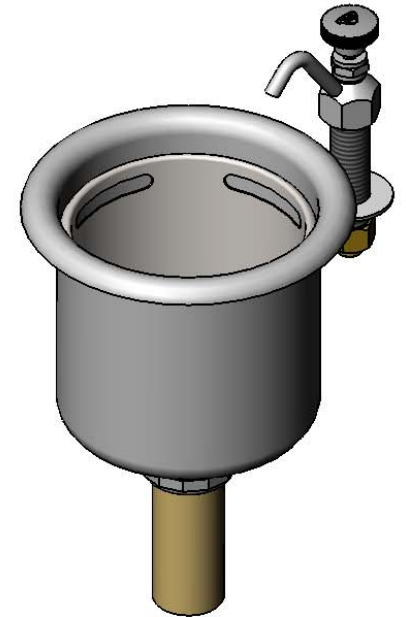
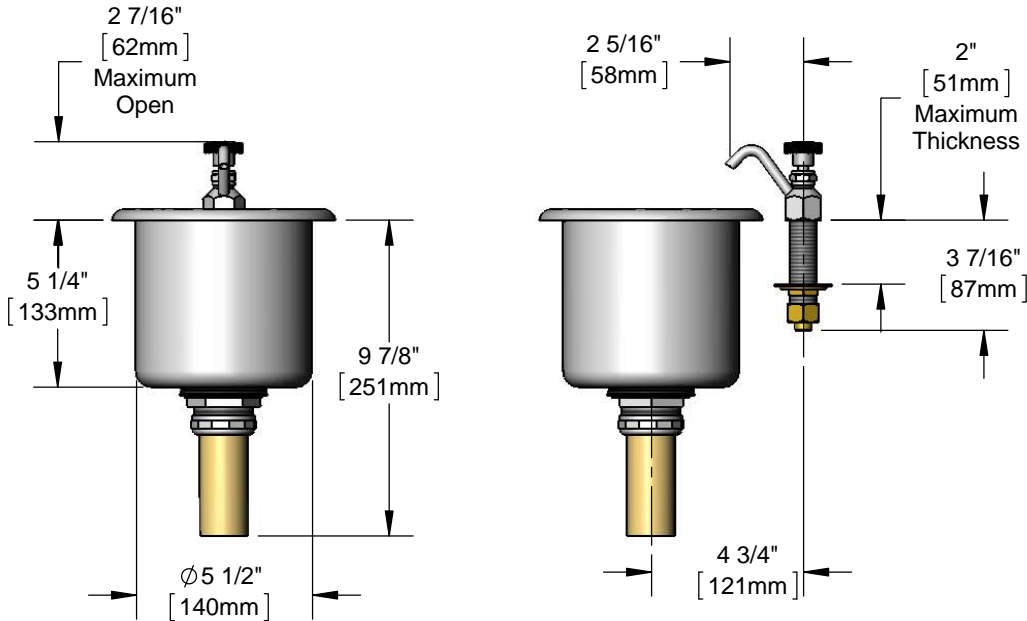
TAG:

Dipperwell Faucet

Architect/Engineering Specifications:

Dipperwell faucet with polished chrome plated brass body with 0.5 GPM flow control, spout, polished chrome plated knob and 1/2" NPSM male inlet with 5/16" I.D. sweat fitting connection, stainless steel bowl with stainless steel removable inner overflow cup and Ø1 1/2" brass tailpiece. Certified to ASME A112.18.1/CSA B125.1, NSF 61-Section 9 and NSF 372

Job Name _____
 Model Specified _____ Quantity _____
 Variations Specified _____
 Date _____



Features & Benefits:

- Dipperwell faucet with polished chrome plated brass body with spout
- 0.5 GPM flow control
- Polished chrome plated knob
- 1/2" NPSM Male inlet with 5/16" I.D. sweat fitting connection
- Stainless steel bowl
- Stainless steel removable inner overflow cup
- Ø1 1/2" x 4" brass tubular tailpiece
- Material: polished chrome plated brass body w/ tubular spout & knob, stainless steel bowl & inner cup and brass tailpiece

Product Compliance:

- ASME A112.18.1 / CSA B125.1
- NSF 61 - Section 9
- NSF 372 (Low Lead Content)



Warranty: One Year (Limited)

Performance Data:

- Pressure: 20 - 125 psi
- Temperature: 40°F - 140°F
- Flow Rate:
 - Faucet: 7.08 GPM @ 60 psi
 - Drain: 18.0 GPM @ 60 psi



T&S BRASS AND BRONZE WORKS, INC.



• 2 Saddleback Cove • Travelers Rest, SC 29690
 Ph 800-476-4103 • Fax 864-834-3518
 • Simi Valley, CA • Ph 800-423-0150 • www.tsbrass.com

Date: 09/30/16