



#### Architect/Engineering Specifications:

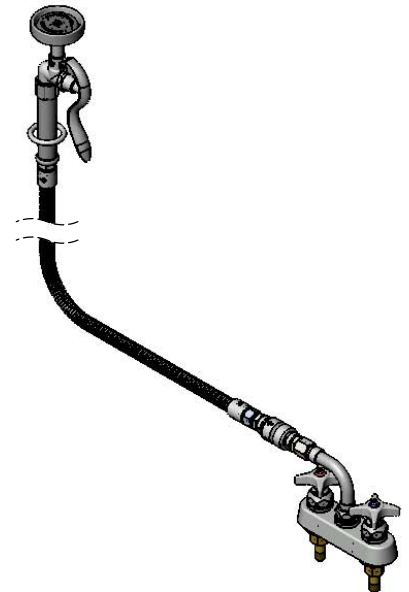
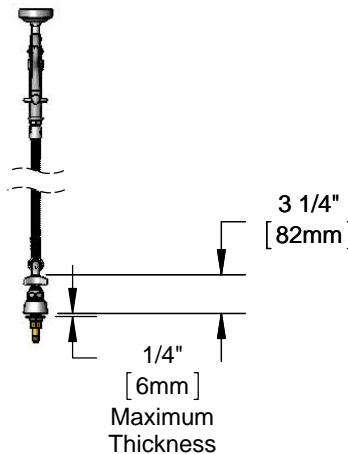
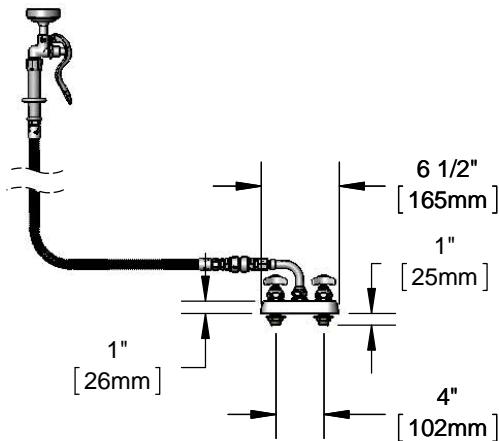
4" deck mount mixing faucet with chrome plated brass body, 44" flexible stainless steel hose with heat resistant handle, 1.42 GPM spray valve, compression cartridges with spring checks, 4-arm handles, 1/2" NPT male inlets, polished chrome plated escutcheon and swivel adapter arm. Certified to ASME A112.18.1/CSA B125.1, NSF 61-Section 9, NSF 372 and CSA B64.8. EPA 2005 compliant.

Job Name \_\_\_\_\_

Model Specified \_\_\_\_\_ Quantity \_\_\_\_\_

Variations Specified \_\_\_\_\_

Date \_\_\_\_\_



#### Features & Benefits:

- 4" deck mount mixing faucet w/ chrome plated brass body
- 44" flexible stainless steel hose w/ heat resistant gray handle and hold down ring
- 1.42 GPM spray valve
- Quarter-turn Eterna compression cartridges with spring checks to prevent cross flow of water
- 4-arm handles w/ color coded indexes
- 1/2" NPT male inlets
- 90° swivel adapter arm
- Tailpieces and nuts for 1/4" NPT male connections
- Material: Polished chrome plated brass body, escutcheon, swivel adapter arm & spray valve, chrome plated vacuum breaker, stainless steel hose and chrome plated metal handles

#### Product Compliance:

- ASME A112.18.1 / CSA B125.1
- NSF 61 - Section 9
- NSF 372 (Low Lead Content)
- EPA 2005 (PRSV)
- CSA B64.8 (VB)



**Warranty:** One Year (Limited)

#### Performance Data:

- Pressure: 20 - 125 psi
- Temperature: 40 °F - 140 °F
- Flow Rate: 1.42 GPM @ 60 psi

#### Optional Handles

- 4" Wrist Action
- Lever
- 4-Arm (Standard)

#### Optional Pre-Rinse Spray Valves

- B-0107 (1.42 GPM) (Standard)
- B-0107-C (0.65 GPM)
- B-0107-J (1.07 GPM)
- B-0108 (1.48 GPM)

