



# Quick Connect Spray Valves

## B-1420

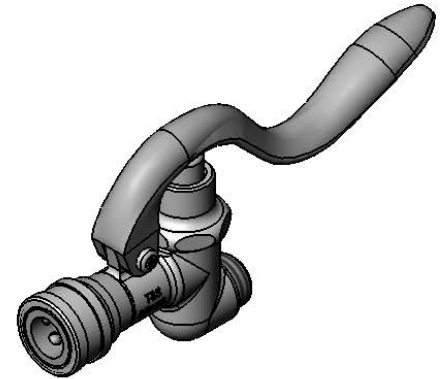
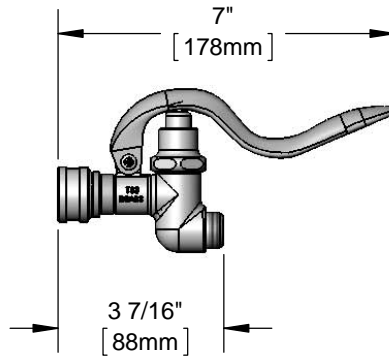
### Squeeze Valve With Quick Disconnect Socket

TAG:

#### Architect/Engineering Specifications:

Automatic shut-off valve with polished chrome plated brass body, quick disconnect socket and 3/4-14 UN male inlet. Certified to ASME A112.18.1/CSA B125.1, NSF 61-Section 9 and NSF 372.

Job Name \_\_\_\_\_  
 Model Specified \_\_\_\_\_ Quantity \_\_\_\_\_  
 Variations Specified \_\_\_\_\_  
 Date \_\_\_\_\_



#### Features & Benefits:

- Automatic shut-off valve
- Spray valve w/ quick disconnect socket, accepts T&S spray valve heads with quick disconnect plugs
- 3/4-14 UN male inlet
- Material: Polished chrome plated brass body and chrome plated brass quick disconnect

#### Product Compliance:

- ASME A112.18.1 / CSA B125.1
- NSF 61 - Section 9
- NSF 372 (Low Lead Content)
- 



**Warranty:** One Year (Limited)

#### Performance Data:

- Pressure: 20 - 125 psi
- Temperature: 40°F - 140°F
- Flow Rate: 4.20 GPM @ 60 psi



T&S BRASS AND BRONZE WORKS, INC.



• 2 Saddleback Cove • Travelers Rest, SC 29690  
 Ph 800-476-4103 • Fax 864-834-3518  
 • Simi Valley, CA • Ph 800-423-0150 • www.tsbrass.com

Date: 02/06/15