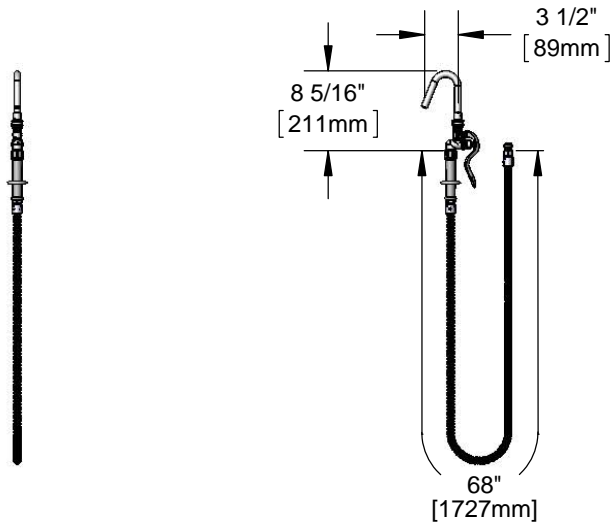




Architect/Engineering Specifications:

Automatic shut-off valve with polished chrome plated brass body, quick disconnect hook nozzle, 68" flexible stainless steel hose with heat resistant handle and 1/2" NPT male inlet. Certified to ASME A112.18.1/CSA B125.1, NSF 61-Section 9 and NSF 372.

Job Name \_\_\_\_\_  
 Model Specified \_\_\_\_\_ Quantity \_\_\_\_\_  
 Variations Specified \_\_\_\_\_  
 Date \_\_\_\_\_



Features & Benefits:

- Automatic shut-off valve
- Hook nozzle w/ quick disconnect plug
- Spray valve w/ quick disconnect socket
- 68" flexible stainless steel hose w/ heat resistant gray handle and hold down ring
- 1/2" NPT male inlet fitting
- Material: Polished chrome plated brass body & tubular nozzle and stainless steel hose

Product Compliance:

- ASME A112.18.1 / CSA B125.1
- NSF 61 - Section 9
- NSF 372 (Low Lead Content)



Warranty: One Year (Limited)



Performance Data:

- Pressure: 20 - 125 psi
- Temperature: 40 °F - 140 °F
- Flow Rate: 3.74 GPM @ 60 psi

