



Loose Key Stops

B-1346

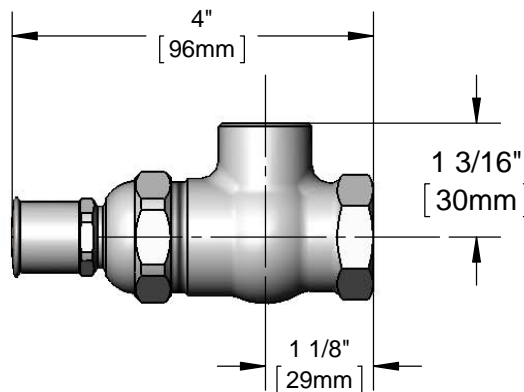
TAG:

Angle Stop

Architect/Engineering Specifications:

Loose key angle stop with chrome plated brass body, loose key style shut-off valve, tee handle, 1/2" NPT female inlet and 3/8" NPT female outlet. Certified to ASME A112.18.1/CSA B125.1, NSF 61-Section 9 and NSF 372.

Job Name _____
 Model Specified _____ Quantity _____
 Variations Specified _____
 Date _____



Features & Benefits:

- Angle stop with polished chrome plated body
- Loose key style shut-off valve with tee handle
- 1/2" NPT female inlet
- 3/8" NPT female outlet
- Material: Polished chrome plated brass

Product Compliance:

- ASME A112.18.1 / CSA B125.1
- NSF 61 - Section 9
- NSF 372 (Low Lead Content)



Warranty: One Year (Limited)

Performance Data:

- Pressure: 20 - 125 psi
- Temperature: 40°F - 140°F
- Flow Rate: 15.20 GPM @ 60 psi



T&S BRASS AND BRONZE WORKS, INC.



• 2 Saddleback Cove • Travelers Rest, SC 29690
 Ph 800-476-4103 • Fax 864-834-3518
 • Simi Valley, CA • Ph 800-423-0150 • www.tsbrass.com

Date: 09/30/16