



Loose Key Stops

B-1344

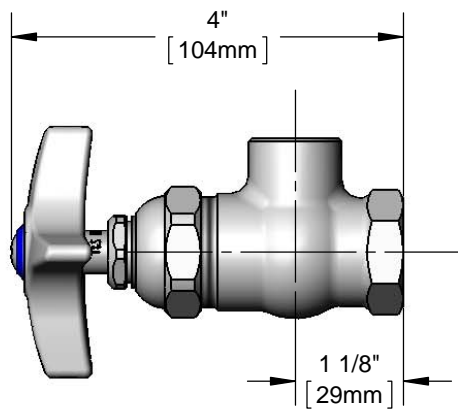
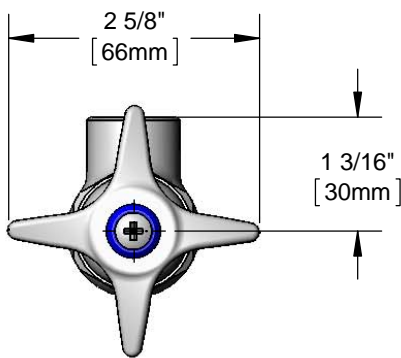
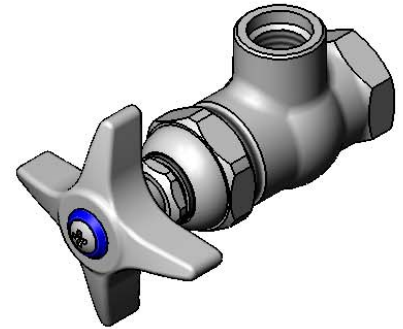
TAG:

Angle Stop

Architect/Engineering Specifications:

Chrome plated brass angle stop, compression cartridge with four-arm handle, (CW) color coded index, 1/2" NPT female inlet and 3/8" NPT female outlet. Certified to ASME A112.18.1/CSA B125.1, NSF 61-Section 9 and NSF 372. Meets ADA ANSI/ICC A117.1 requirements.

Job Name _____
 Model Specified _____ Quantity _____
 Variations Specified _____
 Date _____



Features & Benefits:

- Chrome plated brass angle stop
- Eterna cartridge with four-arm handle, (CW) color coded index
- 1/2" NPT female inlet
- 3/8" NPT female outlet

Product Compliance:

- ASME A112.18.1 / CSA B125.1
- NSF 61 - Section 9
- NSF 372 (Low Lead Content)
- ANSI A117.1 (ADA)

Warranty: One Year (Limited)

Performance Data:

- Pressure: 20 - 125 psi
- Temperature: 40°F - 140°F
- Flow Rate: 15.20 GPM @ 60 psi



ADA Compliant



T&S BRASS AND BRONZE WORKS, INC.



• 2 Saddleback Cove • Travelers Rest, SC 29690
 Ph 800-476-4103 • Fax 864-834-3518
 • Simi Valley, CA • Ph 800-423-0150 • www.tsbrass.com

Date: 09/30/16