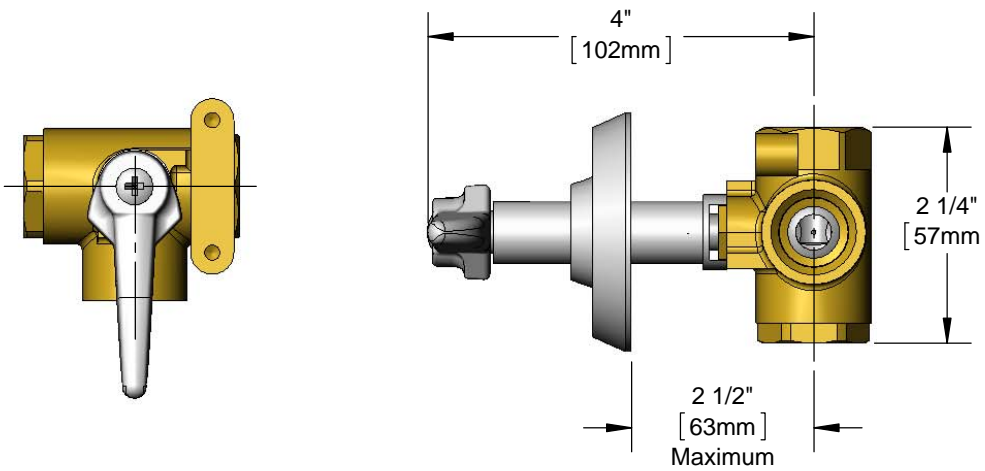
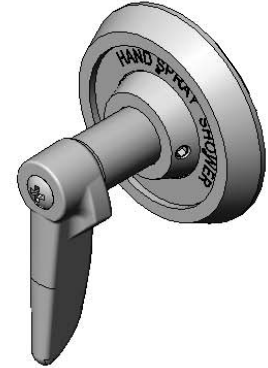




Architect/Engineering Specifications:

Two-way diverter valve for shower, brass body with chrome plated escutcheon and handle, 1/2" NPT female inlet and outlet connections. Certified to ASME A112.18.1/CSA B125.1.

Job Name _____
 Model Specified _____ Quantity _____
 Variations Specified _____
 Date _____



Features & Benefits:

- Two-way diverter valve for shower
- Lever handle
- 1/2" NPT female inlet and outlet connections
- ϕ 2 1/2" adjustable wall escutcheon
- Material: Brass valve body, polished chrome plated brass escutcheon & sleeve and chrome plated metal handle

Product Compliance:

- ASME A112.18.1 / CSA B125.1
- NSF 61 Exempt (Non-Potable)

Warranty: One Year (Limited)

Performance Data:

- Pressure: 20 - 125 psi
- Temperature: 40 °F - 140 °F
- Flow Rate: GPM @ 60 psi

