



Architect/Engineering Specifications:

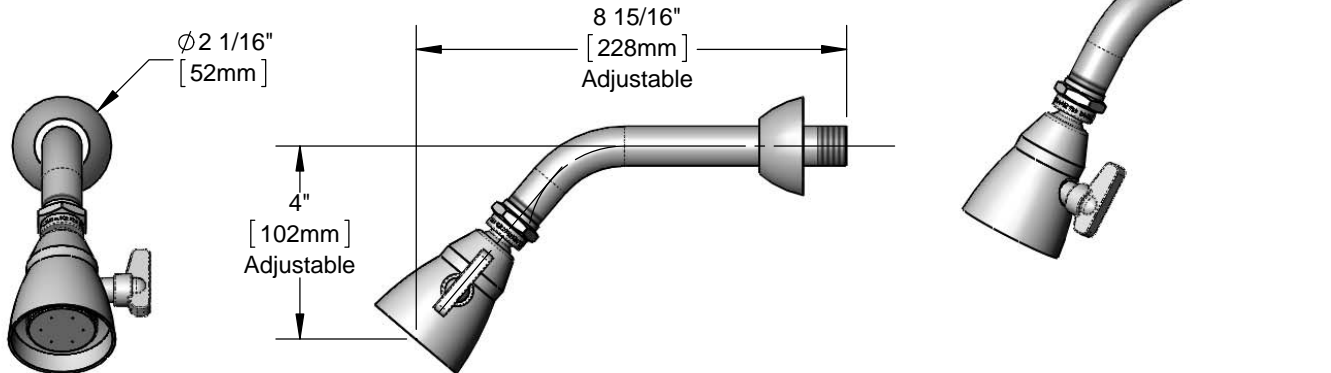
2.5 GPM max. shower head with adjustable spray pattern, 1/2" NPT male arm and adjustable wall flange. Certified to ASME A112.18.1/CSA B125.1.

Job Name _____

Model Specified _____ Quantity _____

Variations Specified _____

Date _____



Features & Benefits:

- 2.5 GPM max. shower head with adjustable spray pattern and ball joint inlet
- 6 deposit resistant water jets with 48 spray channels
- 1/2" NPT male arm
- Adjustable wall flange
- Material: Polished chrome plated brass shower head, arm and flange

Product Compliance:

- ASME A112.18.1 / CSA B125.1
- NSF 61 Exempt (Non-Potable)



Warranty: One Year (Limited)

Performance Data:

- Pressure: 20 - 125 psi
- Temperature: 40 °F - 140 °F
- Flow Rate: 2.5 GPM max @ 80 psi

