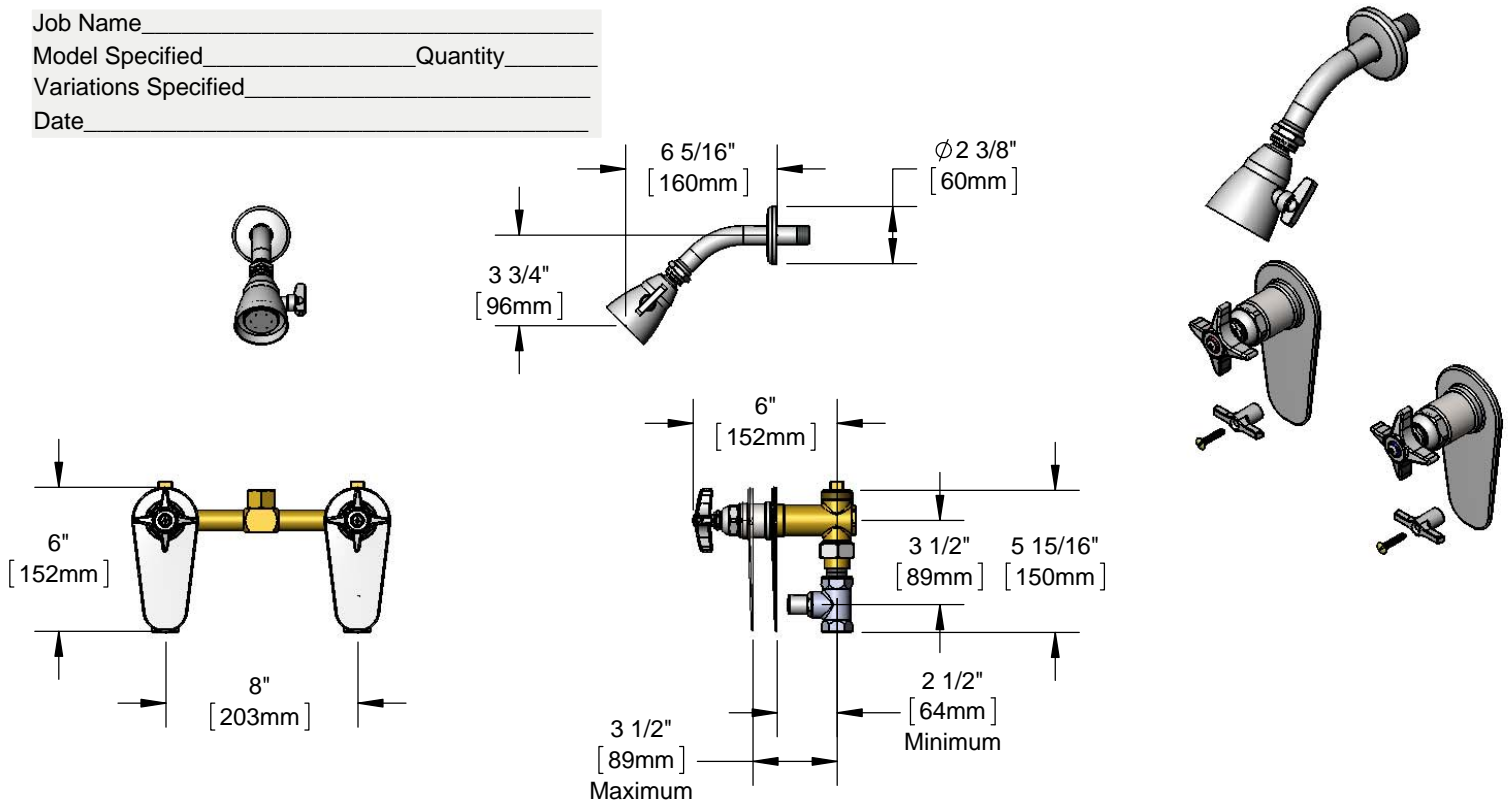




Architect/Engineering Specifications:

8" concealed bypass mixing valve with polished chrome plated brass adjustable wall flanges and sleeves, 2.5 GPM showerhead, 1/2" NPT female outlet, compression cartridges, 4-arm handles, and 1/2" NPT female loose key straight stop inlets with tee handles. Certified to ASME A112.18.1/CSA B125.1 and NSF 372. Meets ADA ANSI/ICC A117.1 requirements.

Job Name _____
 Model Specified _____ Quantity _____
 Variations Specified _____
 Date _____



Features & Benefits:

- 8" concealed bypass mixing valves with brass body
- 6" tall polished chrome plated brass adjustable wall flanges and sleeves
- 2.5 GPM polished chrome plated shower head with adjustable spray, arm and wall flange
- 1/2" NPT female outlet
- Eterna compression cartridges with 4 arm handles and color coded indexes
- 1/2" NPT female loose key straight stop inlets with tee handles
- Material: Brass valve bodies, polished chrome plated brass adjustable wall flanges, showerhead & sleeves and chrome plated metal handles

Product Compliance:

- ASME A112.18.1 / CSA B125.1
- NSF 61 Exempt (Non-Potable)
- NSF 372 (Low Lead Content)
- ANSI A117.1 (ADA)

Warranty: One Year (Limited)

Performance Data:

- Pressure: 20 - 125 psi
- Temperature: 40 °F - 140 °F
- Flow Rate: 2.5 GPM max @ 80 psi



ADA Compliant

