



Concealed Straight Single Valve

Architect/Engineering Specifications:

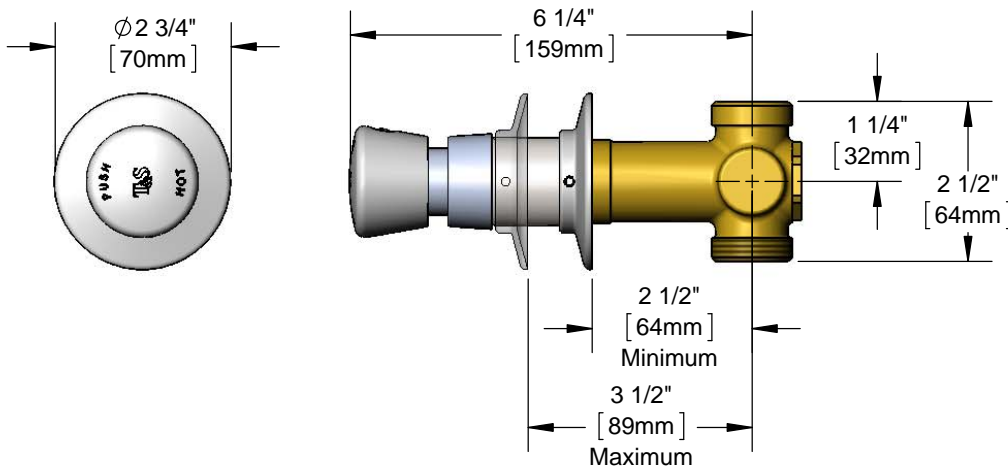
Concealed straight single valve with brass body, polished chrome plated brass adjustable wall flange and sleeve, 1/2" NPT female outlet, metering cartridge, hot push button cap, and 1/2" NPT female inlet with union coupling thread. Certified to ASME A112.18.1/CSA B125.1, NSF 61-Section 9, and NSF 372. Meets ADA ANSI/ICC A117.1 requirements.

Job Name _____

Model Specified _____ Quantity _____

Variations Specified _____

Date _____



Features & Benefits:

- Concealed straight single valve with brass body
- $\phi 2 \frac{3}{4}$ " polished chrome plated brass adjustable wall flange and sleeve
- 1/2" NPT female outlet
- Metering cartridge
- Adjustable metering cycle, 10 to 30 seconds
- Hot push button cap w/ vandal resistant screw
- 1/2" NPT female inlet with union coupling thread
- Material: Brass valve body, chrome plated metal handle, and polished chrome plated brass adjustable wall flange & sleeve

Product Compliance:

- ASME A112.18.1 / CSA B125.1
- NSF 61 - Section 9
- NSF 372 (Low Lead Content)
- ANSI A117.1 (ADA)

Warranty: One Year (Limited)

Performance Data:

- Pressure: 20 - 125 psi
- Temperature: 40 °F - 140 °F
- Flow Rate: 2.90 GPM @ 60 psi
- Water Consumption: @10 sec = .48 gal
@15 sec = .73 gal



ADA Compliant

