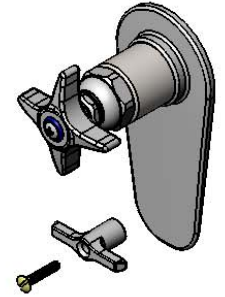
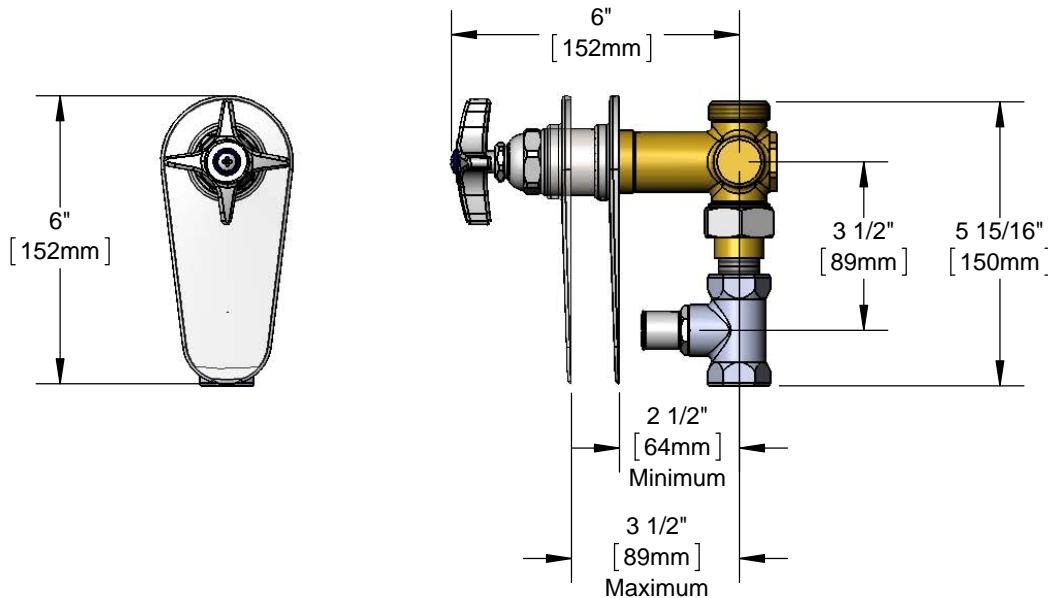




Architect/Engineering Specifications:

Concealed straight single valve with brass body and polished chrome plated brass adjustable wall flange and sleeve, 1/2" NPT female outlet, compression cartridge, 4-arm handle and 1/2" NPT female loose key straight stop inlet with tee handle. Certified to ASME A112.18.1/CSA B125.1, NSF 61-Section 9 and NSF 372. Meets ADA ANSI/ICC A117.1 requirements.

Job Name _____
 Model Specified _____ Quantity _____
 Variations Specified _____
 Date _____



Features & Benefits:

- Concealed straight single valve with brass body & 1/2" NPT female union inlet connection
- 6" tall polished chrome plated brass adjustable wall flange & sleeve
- 1/2" NPT female outlet
- 4-arm handle & blue color-coded index
- Eterna compression cartridge
- 1/2" NPT female loose key straight stop inlet w/ tee handle
- Material: Brass valve body, chrome plated metal handle, polished chrome plated brass adjustable wall flange & sleeve

Optional Cartridges

- Quarter Turn Cerama
- Eterna (Standard)
- Quarter Turn Eterna
- Push Button Metering
- Pivot Action Metering
- Wrist Action Metering

Product Compliance:

- ASME A112.18.1 / CSA B125.1
- NSF 61 - Section 9
- NSF 372 (Low Lead Content)
- ANSI A117.1 (ADA)

Warranty: One Year (Limited)

Performance Data:

- Pressure: 20 - 125 psi
- Temperature: 40 °F - 140 °F
- Flow Rate: 3.95 GPM @ 60 psi



ADA Compliant

