



Architect/Engineering Specifications:

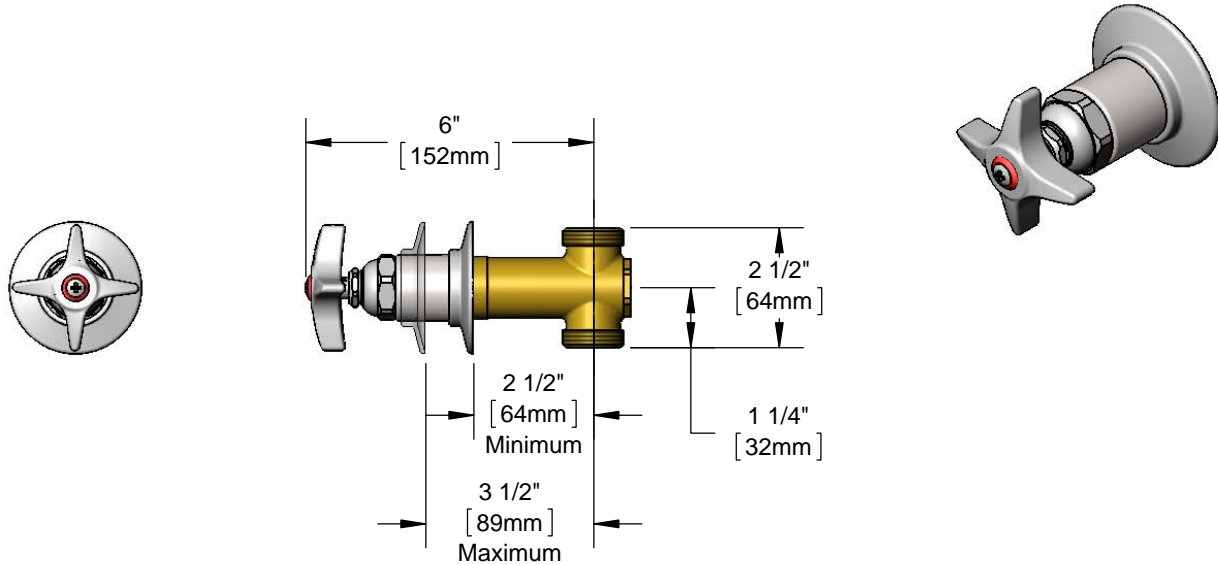
Concealed straight single valve with brass body, polished chrome plated brass adjustable wall flange and sleeve, 1/2" NPT female outlet, compression cartridge, 4-arm handle, and 1/2" NPT female inlet. Certified to ASME A112.18.1/CSA B125.1, NSF 61-Section 9 and NSF 372. Meets ADA ANSI/ICC A117.1 requirements.

Job Name _____

Model Specified _____ Quantity _____

Variations Specified _____

Date _____



Features & Benefits:

- Concealed straight single valve with brass body
- Ø2 3/16" polished chrome plated brass adjustable wall flange & sleeve
- 1/2" NPT female outlet
- Eterna compression cartridge
- 4-arm handle w/ red color coded index
- 1/2" NPT female inlet w/ external thread for union coupling connection
- Material: Brass valve body, chrome plated metal handle, and polished chrome plated brass adjustable wall flange & sleeve

Product Compliance:

- ASME A112.18.1 / CSA B125.1
- NSF 61 - Section 9
- NSF 372 (Low Lead Content)
- ANSI A117.1 (ADA)

Warranty: One Year (Limited)

Performance Data:

- Pressure: 20 - 125 psi
- Temperature: 40 °F - 140 °F
- Flow Rate: 5.53 GPM @ 60 psi



ADA Compliant

