



**Architect/Engineering Specifications:**

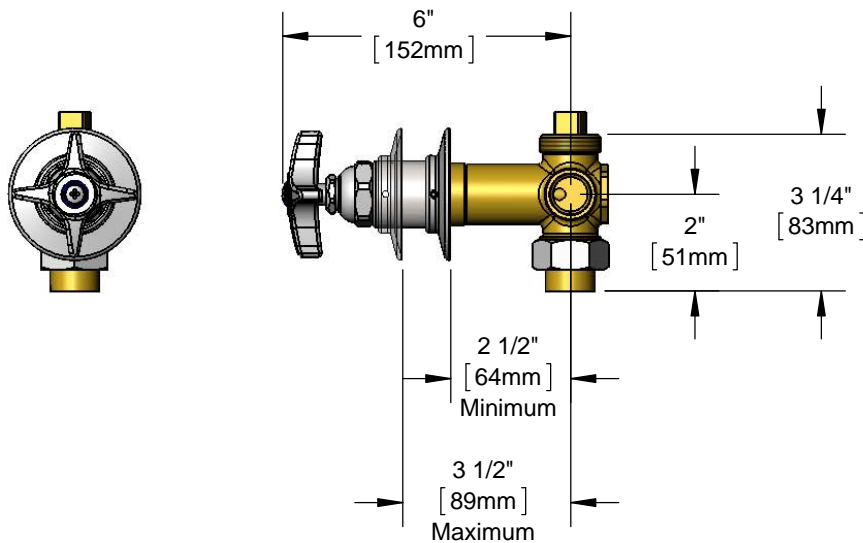
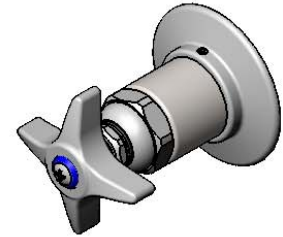
Concealed bypass single valve with brass body, polished chrome plated brass adjustable wall flange and sleeve, 1/2" NPT female outlet, compression cartridge, 4-arm handle and 1/2" NPT female inlet. Certified to ASME A112.18.1/CSA B125.1, NSF 61-Section 9 and NSF 372. Meets ADA ANSI/ICC A117.1 requirements.

Job Name \_\_\_\_\_

Model Specified \_\_\_\_\_ Quantity \_\_\_\_\_

Variations Specified \_\_\_\_\_

Date \_\_\_\_\_



**Features & Benefits:**

- Concealed bypass single valve with brass body
- Ø2 3/16" polished chrome plated brass adjustable wall flange & sleeve
- 1/2" NPT female side outlet
- Eterna compression cartridge
- 4-arm handle w/ blue color coded index
- 1/2" NPT female inlet w/ external thread for union coupling connection both ends
- Material: Brass valve body, chrome plated metal handle, and polished chrome plated brass adjustable wall flange & sleeve

**Optional Cartridges**

- Quarter Turn Cerama
- Eterna (Standard)
- Quarter Turn Eterna
- Push Button Metering
- Pivot Action Metering
- Wrist Action Metering

**Product Compliance:**

- ASME A112.18.1 / CSA B125.1
- NSF 61 - Section 9
- NSF 372 (Low Lead Content)
- ANSI A117.1 (ADA)

**Warranty:** One Year (Limited)

**Performance Data:**

- Pressure: 20 - 125 psi
- Temperature: 40 °F - 140 °F
- Flow Rate: 5.53 GPM @ 60 psi



ADA Compliant

