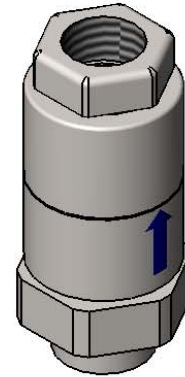
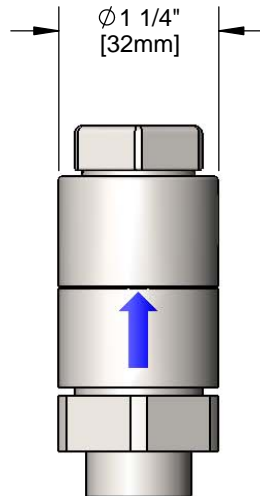
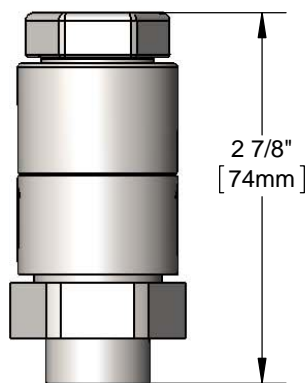




Architect/Engineering Specifications:

In-line continuous pressure dual check vacuum breaker with polished chrome plated brass body, 3/8 NPT female inlet and outlet. Certified to ASME A112.18.1/CSA B125.1, NSF 61-Section 9, NSF 372 and ASSE 1024.

Job Name \_\_\_\_\_  
 Model Specified \_\_\_\_\_ Quantity \_\_\_\_\_  
 Variations Specified \_\_\_\_\_  
 Date \_\_\_\_\_



Features & Benefits:

- In-line continuous vacuum breaker w/ polished chrome plated brass body
- 3/8" NPT female inlet
- 3/8" NPT female outlet
- Design prevents back siphonage and back-flow
- Material: Polished chrome plated brass body

Product Compliance:

- ASME A112.18.1 / CSA B125.1
- NSF 61 - Section 9
- NSF 372 (Low Lead Content)
- ASSE 1024 (VB)

Warranty: One Year (Limited)

Performance Data:

- Pressure: 20 - 125 psi
- Temperature: 40 °F - 140 °F
- Flow Rate: 10 GPM @ 60 psi

