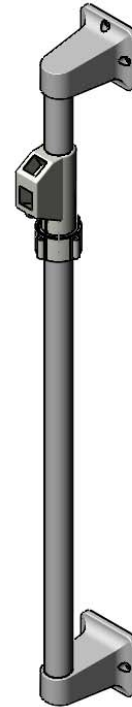
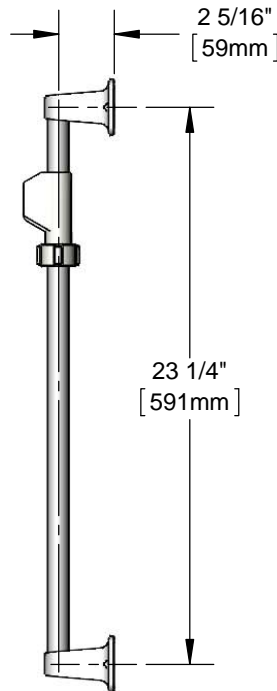
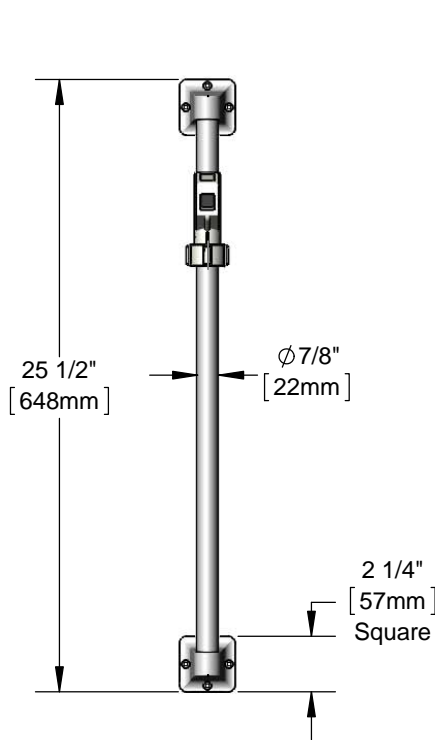




Architect/Engineering Specifications:

Vertical slide bar with adjustable height bracket, for use with SQ-0095 shower queen hand shower.

Job Name _____
Model Specified _____ Quantity _____
Variations Specified _____
Date _____



Features & Benefits:

- Vertical slide bar
- Adjustable height bracket for use with SQ-0095 shower queen hand Spray
- Mounting screws included
- Material: Stainless steel vertical slide bar and chrome plated metal height bracket

Product Compliance:

- N/A

Warranty: One Year (Limited)

Performance Data:

- N/A

