



Architect/Engineering Specifications:

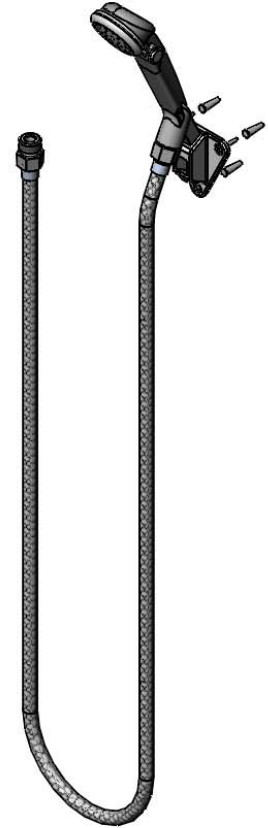
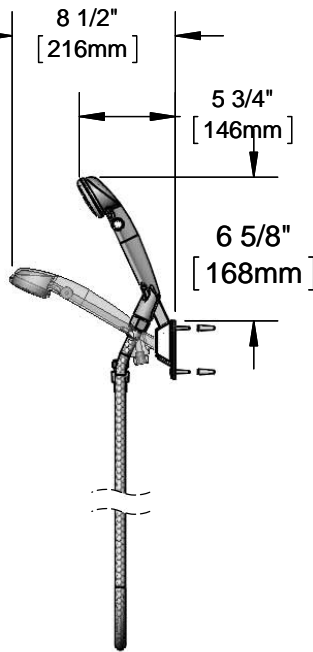
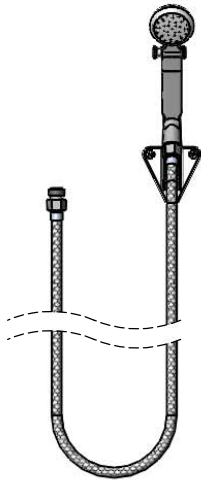
Hand-held shower with non-positive shut-off thumb valve, 2.0 GPM flow, 0.5 GPM non-positive shut-off flow, 60" vinyl hose with 1/2" NPT male inlet and wall mounting bracket. Certified to ASME A112.18.1/CSA B125.1. Meets ADA ANSI/ICC A117.1 requirements.

Job Name _____

Model Specified _____ Quantity _____

Variations Specified _____

Date _____



Features & Benefits:

- Hand-held shower with non-positive shut-off thumb valve
- 60" vinyl hose
- 2.0 GPM flow rate
- 0.5 GPM water-saving trickle
- Mounting bracket holds hand spray at two angles
- Material: Plastic hand-held shower and mounting bracket, flexible vinyl hose

Product Compliance:

- ASME A112.18.1 / CSA B125.1
- NSF 61 Exempt (Non-Potable)
- ANSI A117.1 (ADA)



Warranty: One Year (Limited)

Performance Data:

- Pressure: 20 - 125 psi
- Temperature: 40°F - 140°F
- Flow Rate: 2.0 GPM @ 60 psi
0.5 GPM @ non-positive shut-off

