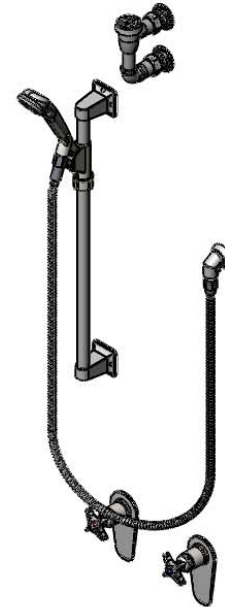
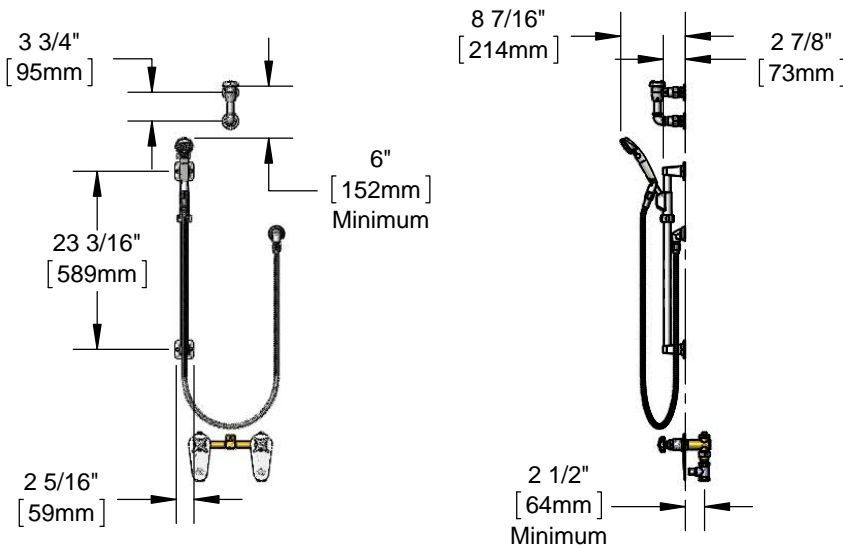




**Architect/Engineering Specifications:**

8" concealed bypass mixing valve with polished chrome plated brass adjustable wall flanges and sleeves, 1/2" NPT female outlet, compression cartridges, 4 arm handles, 1/2" NPT female loose key straight stop inlets with tee handles, atmospheric vacuum breaker, polished chrome plated brass wall outlet, shower hand spray with non-positive shut-off thumb valve, 60" flexible stainless steel hose, vertical slide bar and adjustable height mounting bracket. Certified to ASME A112.18.1/CSA B125.1. Meets ADA ANSI/ICC A117.1 requirements.

Job Name \_\_\_\_\_  
 Model Specified \_\_\_\_\_ Quantity \_\_\_\_\_  
 Variations Specified \_\_\_\_\_  
 Date \_\_\_\_\_



**Features & Benefits:**

- 8" concealed bypass mixing valve with 1/2" NPT female union inlet connections & 1/2" NPT female outlet
- 6" polished chrome plated brass adjustable wall flanges and sleeves
- Eterna compression cartridges with 4 arm handles and color coded indexes
- 1/2" NPT female loose key straight stop inlets with tee handles
- Elevated 1/2" NPT atmospheric vacuum breaker
- Polished chrome plated brass wall outlet with adjustable Ø 2" flange and 1/2" NPT female inlet
- Shower hand spray with non-positive shut-off thumb valve and 60" flexible stainless steel hose
- 24" vertical slide bar with adjustable height mounting bracket
- Material: Brass mixing valve and stops, plastic hand spray and mounting bracket, polished chrome plated metal slide bar, flexible stainless steel hose and polished chrome plated brass wall outlet

**Product Compliance:**

- ASME A112.18.1 / CSA B125.1
- NSF 61 Exempt (Non-Potable)
- ANSI A117.1 (ADA)
- ASSE 1001 (VB)

**Warranty:** One Year (Limited)

**Performance Data:**

- Pressure: 20 - 125 psi
- Temperature: 40 °F - 140 °F
- Flow Rate: 2.0 max GPM @ 60 psi

