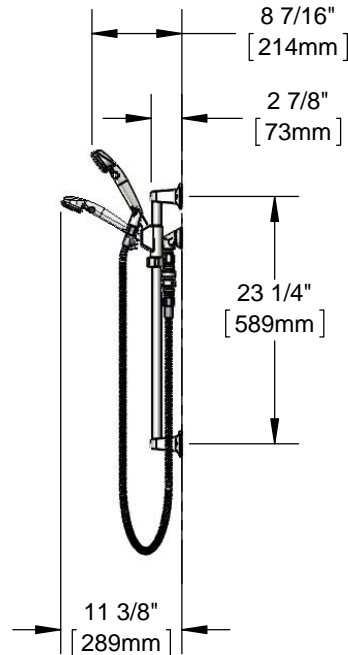




Architect/Engineering Specifications:

Hand-held shower with non-positive shut-off thumb valve, 2.0 GPM full flow and 0.5 GPM non-positive shut-off, 60" flexible stainless steel hose, polished chrome plated brass wall outlet, 1/2" NPT female inlet, vacuum breaker, vertical slide bar and adjustable height mounting bracket. Certified to ASME A112.18.1/CSA B125.1. Meets ADA ANSI/ICC A117.1 requirements.

Job Name _____
 Model Specified _____ Quantity _____
 Variations Specified _____
 Date _____



Features & Benefits:

- Hand-held shower with non-positive shut-off thumb valve
- 60" flexible stainless steel hose
- Polished chrome plated brass wall outlet with Ø 2" flange and 1/2" NPT female inlet
- Vacuum breaker
- 24" vertical slide bar with adjustable height mounting bracket
- 2.0 GPM full flow
- 0.5 GPM water-saving trickle
- Mounting bracket holds hand spray at two angles
- Material: Plastic hand-held shower and mounting bracket, polished chrome plated metal slide bar, flexible stainless steel hose, and polished chrome plated brass wall outlet

Product Compliance:

- ASME A112.18.1 / CSA B125.1
- CSA B64.8
- ANSI A117.1 (ADA)
- NSF 61 Exempt (Non-Potable)



Warranty: One Year (Limited)

Performance Data:

- Pressure: 20 - 125 psi
- Temperature: 40°F - 140°F
- Flow Rate: 2.0 GPM @ 60 psi
0.5 GPM @ non-positive shut-off

