



Architect/Engineering Specifications:

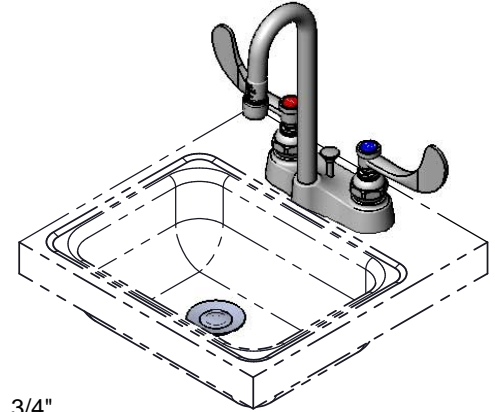
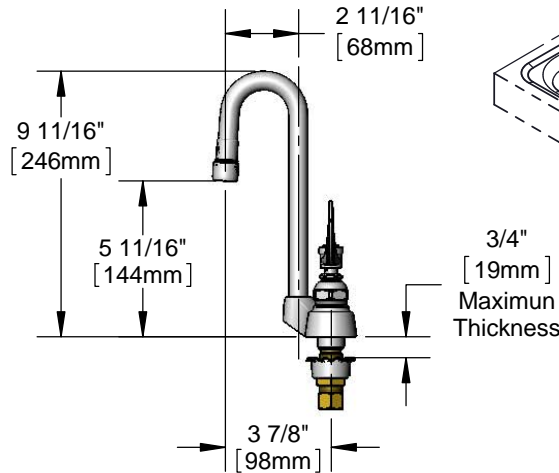
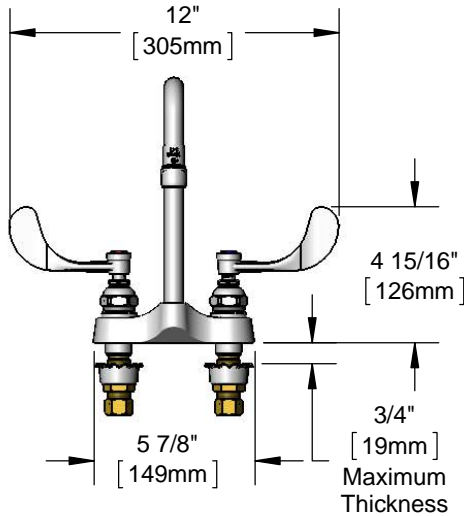
4" deck mount mixing faucet with polished chrome plated brass body, rigid gooseneck with 2.2 GPM aerator, compression cartridges, 4" wrist action handles and 1/2" NPSM male inlets with compression nuts. Certified to ASME A112.18.1/CSA B125.1, NSF 61-Section 9 and NSF 372. Meets ADA ANSI/ICC A117.1 requirements.

Job Name _____

Model Specified _____ Quantity _____

Variations Specified _____

Date _____



Features & Benefits:

- 4" deck mount mixing faucet w/ polished chrome plated brass body
- 2 11/16" rigid gooseneck
- 2.2 GPM aerator, Series 2 (B-0199-02)
- Quarter-turn Eterna compression cartridges
- 4" wrist action handles with color coded indexes
- 1/2" NPSM male inlets with coupling nuts
- Pop-up drain assembly
- Material: Polished chrome plated brass body and tubular spout, chrome plated metal handles

Product Compliance:

- ASME A112.18.1 / CSA B125.1
- NSF 61 - Section 9
- NSF 372 (Low Lead Content)
- ANSI A117.1 (ADA)

Warranty: One Year (Limited)

Performance Data:

- Pressure: 20 - 125 psi
- Temperature: 40 °F - 140 °F
- Flow Rate: 2.2 GPM @ 60 psi



ADA Compliant

Optional Outlets (Series 2 / VR Series 7)

GPM	Aerated	Non-Aerated (Laminar)	VR Aerated	VR Non-Aerated (VR Laminar)
0.35	N/A	<input type="checkbox"/> B-0199-02-N035	N/A	<input type="checkbox"/> B-0199-07-N035
0.5	N/A	<input type="checkbox"/> B-0199-02-N05	N/A	<input type="checkbox"/> B-0199-07-N05
1.0	<input type="checkbox"/> B-0199-02-F10	N/A	<input type="checkbox"/> B-0199-07-F10	N/A
1.5	<input type="checkbox"/> B-0199-02-WS	N/A	<input type="checkbox"/> B-0199-07-WS	N/A
2.2	Standard	N/A	<input type="checkbox"/> B-0199-07	N/A

Optional Handles

- 4" Wrist Action (Standard)
- Lever
- 4-Arm

Optional Cartridges

- Quarter-Turn Cerama
- Eterna
- Quarter-Turn Eterna (Standard)
- Push Button Metering
- Pivot Action Metering
- Wrist Action Metering

