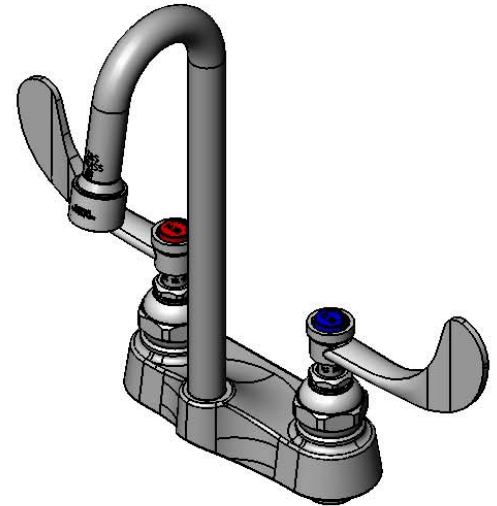
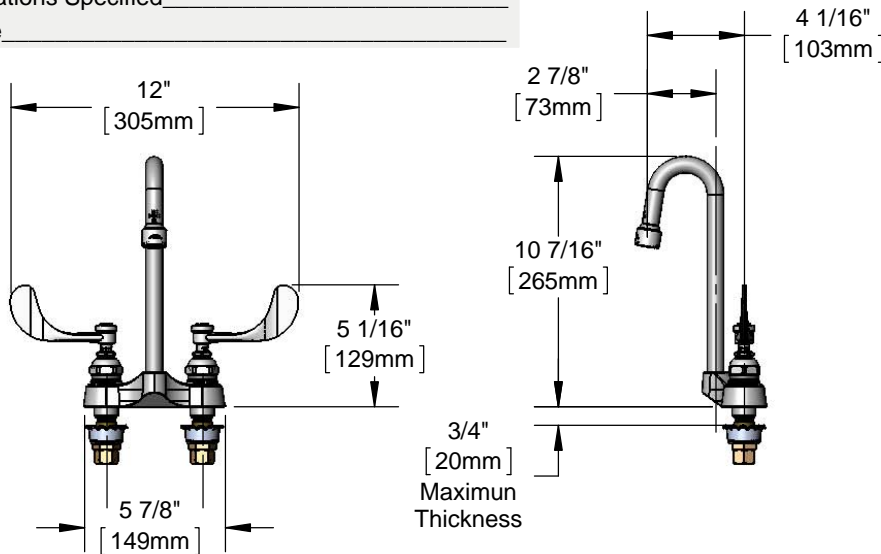




Architect/Engineering Specifications:

4" centerset deck mount mixing faucet with polish chrome plated brass body, rigid gooseneck with vandal resistant 0.5 GPM non-aerated flow device, compression cartridges, 4" wrist action handles, 1/2" NPSM male inlets with compression nuts. Certified to ASME A112.18.1/CSA B125.1, NSF 61-Section 9 and NSF 372. Meets ADA ANSI/ICC A117.1 requirements.

Job Name _____
 Model Specified _____ Quantity _____
 Variations Specified _____
 Date _____



Features & Benefits:

- 4" centerset deck mount mixing faucet
- 2 7/8" rigid gooseneck
- Vandal resistant 0.5 GPM non-aerated flow device, Series 1 (B-0199-06-N05)
- Eterna compression cartridges
- 4" wrist action handles w/ color coded indexes
- 1/2" NPSM male inlets with coupling nuts
- Material: Chrome plated brass body and tubular spout, chrome plated metal handles

Product Compliance:

- ASME A112.18.1 / CSA B125.1
- NSF 61 - Section 9
- NSF 372 (Low Lead Content)
- ANSI A117.1 (ADA)



Warranty: One Year (Limited)

Performance Data:

- Pressure: 20 - 125 psi
- Temperature: 40 °F - 140 °F
- Flow Rate: 0.5 GPM @ 60 psi



ADA Compliant

Optional Outlets (Series 1 / VR Series 6)

| GPM | Aerated | Non-Aerated (Laminar) | VR Aerated | VR Non-Aerated (VR Laminar) | Optional Handles | Optional Cartridges |
|------|--|---|--|---|---|--|
| 0.35 | N/A | <input type="checkbox"/> B-0199-01-N035 | N/A | <input type="checkbox"/> B-0199-06-N035 | <input type="checkbox"/> 4" Wrist Action (Standard) | <input type="checkbox"/> Quarter Turn Cerama |
| 0.5 | N/A | <input type="checkbox"/> B-0199-01-N05 | N/A | Standard | <input type="checkbox"/> Lever | <input type="checkbox"/> Eterna (Standard) |
| 1.0 | <input type="checkbox"/> B-0199-01-F10 | N/A | <input type="checkbox"/> B-0199-06-F10 | N/A | <input type="checkbox"/> 4-Arm | <input type="checkbox"/> Quarter Turn Eterna |
| 1.5 | <input type="checkbox"/> B-0199-01-WS | <input type="checkbox"/> B-0199-29 | <input type="checkbox"/> B-0199-06-WS | <input type="checkbox"/> B-0199-29VR | | <input type="checkbox"/> Push Button Metering |
| 2.2 | <input type="checkbox"/> B-0199-01 | <input type="checkbox"/> B-0199-21 | <input type="checkbox"/> B-0199-06 | <input type="checkbox"/> B-0199-21-VRF | | <input type="checkbox"/> Pivot Action Metering <input type="checkbox"/> Wrist Action Metering |

