



Architect/Engineering Specifications:

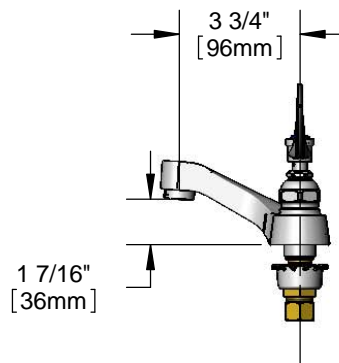
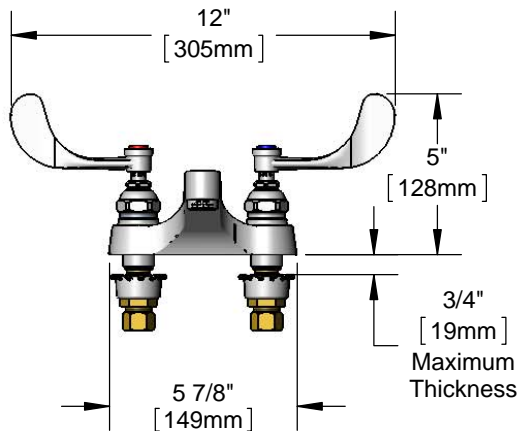
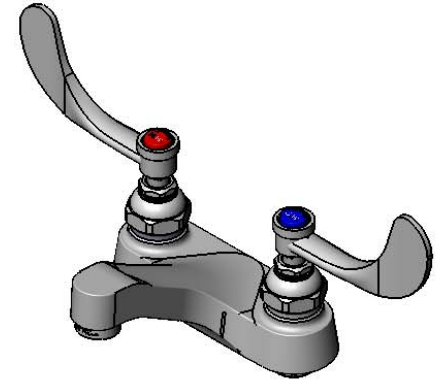
4" centerset deck mount mixing faucet with polished chrome plated brass body & integral spout, 0.5 GPM vandal resistant aerator, compression cartridges, 4" wrist action handles with vandal resistant screws and 1/2" NPSM male inlets. Certified to ASME A112.18.1/CSA B125.1, NSF 61-Section 9 and NSF 372. Meets ADA ANSI/ICC A117.1 requirements.

Job Name _____

Model Specified _____ Quantity _____

Variations Specified _____

Date _____



Features & Benefits:

- 4" centerset deck mount mixing faucet w/ polished chrome plated brass body and integral spout
- 0.5 GPM vandal resistant aerator, Series 8 (B-0199-08-N05)
- Quarter-turn Eterna compression cartridges
- 4" wrist action handles w/ color coded indexes and vandal resistant screws
- 1/2" NPSM male inlets w/ coupling nuts
- Material: polished chrome plated brass body & spout and chrome plated metal handles

Product Compliance:

- ASME A112.18.1 / CSA B125.1
- NSF 61 - Section 9
- NSF 372 (Low Lead Content)
- ANSI A117.1 (ADA)

Warranty: One Year (Limited)

Performance Data:

- Pressure: 20 - 125 psi
- Temperature: 40 °F - 140 °F
- Flow Rate: 0.5 GPM @ 60 psi



Optional Outlets (Series 3 / VR Series 8)

| GPM | Aerated | Non-Aerated (Laminar) | VR Aerated | VR Non-Aerated (VR Laminar) |
|------|--|---|--|---|
| 0.35 | N/A | <input type="checkbox"/> B-0199-03-N035 | N/A | <input type="checkbox"/> B-0199-08-N035 |
| 0.5 | N/A | Standard | N/A | Standard |
| 1.0 | N/A | N/A | N/A | <input type="checkbox"/> B-0199-08-LF10 |
| 1.2 | <input type="checkbox"/> B-0199-03-F12 | N/A | <input type="checkbox"/> B-0199-08-F12 | N/A |
| 1.5 | <input type="checkbox"/> B-0199-03-WS | N/A | <input type="checkbox"/> B-0199-08-WS | <input type="checkbox"/> B-0199-08-LF15 |
| 2.2 | <input type="checkbox"/> B-0199-03 | <input type="checkbox"/> B-0199-26 | <input type="checkbox"/> B-0199-08 | <input type="checkbox"/> B-0199-28 |

Optional Cartridges

- Quarter-Turn Cerama
- Eterna
- Quarter-Turn Eterna (Standard)
- Push Button Metering
- Pivot Action Metering
- Wrist Action Metering

Optional Handles

- 4" Wrist Action (Standard)
- Lever
- 4-Arm

