



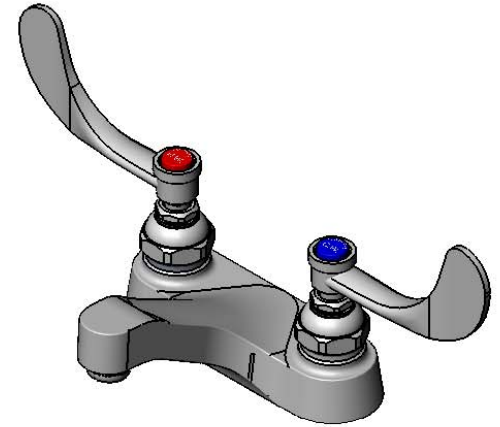
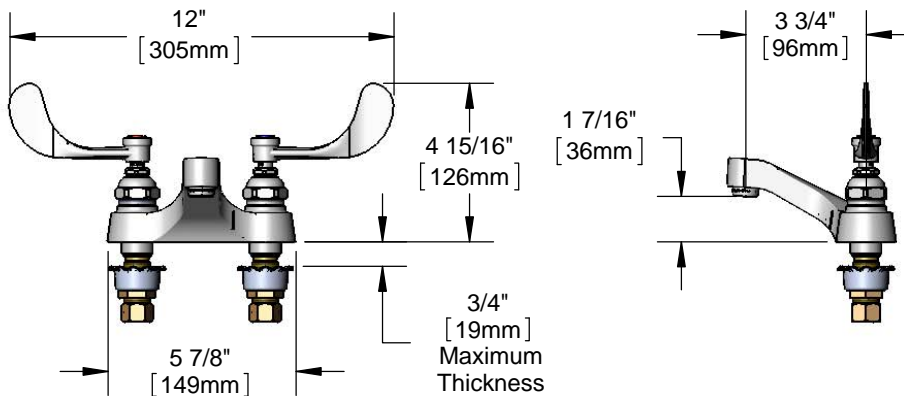
## B-0890-F12

## Centerset Lavatory Faucet

### Architect/Engineering Specifications:

4" centerset deck mount mixing faucet with polish chrome plated brass body and integral spout, 1.2 GPM aerator, compression cartridges, 4" wrist action handles and 1/2" NPSM male inlets. Certified to ASME A112.18.1/CSA B125.1, NSF 61-Section 9 and NSF 372. Meets ADA ANSI/ICC A117.1 requirements.

Job Name \_\_\_\_\_  
 Model Specified \_\_\_\_\_ Quantity \_\_\_\_\_  
 Variations Specified \_\_\_\_\_  
 Date \_\_\_\_\_



### Features & Benefits:

- 4" centerset deck mount mixing faucet w/ polish chrome plated brass body & integral spout
- 1.2 GPM aerator, Series 3 (B-0199-03-F12)
- Eterna compression cartridges
- 4" wrist action handles w/ color coded indexes
- 1/2" NPSM male inlets with coupling nuts
- Material: Polish chrome plated brass body & spout and chrome plated metal handles

### Product Compliance:

- ASME A112.18.1 / CSA B125.1
- NSF 61 - Section 9
- NSF 372 (Low Lead Content)
- ANSI A117.1 (ADA)
- EPA WaterSense



**Warranty:** One Year (Limited)

### Performance Data:

- Pressure: 20 - 125 psi
- Temperature: 40°F - 140°F
- Flow Rate: 1.2 GPM @ 60 psi



ADA Compliant

### Optional Outlets (Series 3 / VR Series 8)

GPM	Aerated	Non-Aerated (Laminar)	VR Aerated	VR Non-Aerated (VR Laminar)	Optional Handles	Optional Cartridges
0.35	N/A	<input type="checkbox"/> B-0199-03-N035	N/A	<input type="checkbox"/> B-0199-08-N035	<input type="checkbox"/> 4" Wrist Action (Standard)	<input type="checkbox"/> Quarter Turn Cerama
0.5	N/A	<input type="checkbox"/> B-0199-03-N05	N/A	<input type="checkbox"/> B-0199-08-N05	<input type="checkbox"/> Lever	<input type="checkbox"/> Eterna (Standard)
1.0	N/A	N/A	N/A	<input type="checkbox"/> B-0199-08-LF10	<input type="checkbox"/> 4-Arm	<input type="checkbox"/> Quarter Turn Eterna
1.2	Standard	N/A	<input type="checkbox"/> B-0199-08-F12	N/A		<input type="checkbox"/> Push Button Metering
1.5	<input type="checkbox"/> B-0199-03-WS	N/A	<input type="checkbox"/> B-0199-08-WS	<input type="checkbox"/> B-0199-08-LF15		<input type="checkbox"/> Pivot Action Metering
2.2	<input type="checkbox"/> B-0199-03	<input type="checkbox"/> B-0199-26	<input type="checkbox"/> B-0199-08	<input type="checkbox"/> B-0199-28		<input type="checkbox"/> Wrist Action Metering

