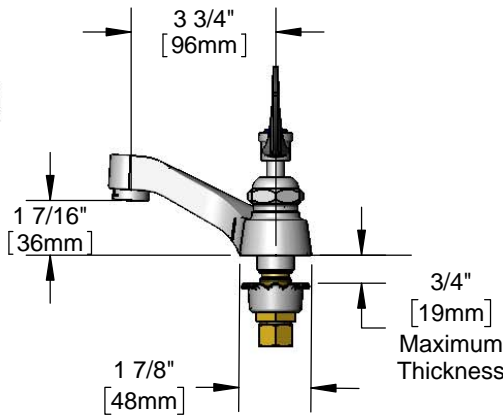
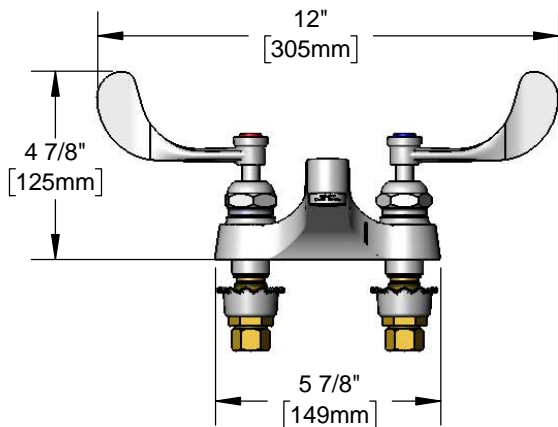
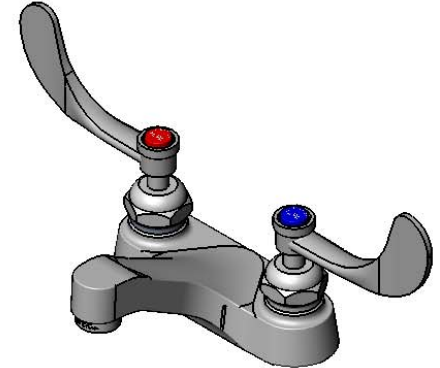




Architect/Engineering Specifications:

4" centerset deck mount faucet with polished chrome plated brass body & integral spout, 0.5 GPM vandal resistant non-aerated spray device, ceramic cartridges, 4" wrist action handles with vandal resistant screws and 1/2" NPSM male inlets. Certified to ASME A112.18.1/CSA B125.1, NSF 61-Section 9 and NSF 372. Meets ADA ANSI/ICC A117.1 requirements.

Job Name _____
 Model Specified _____ Quantity _____
 Variations Specified _____
 Date _____



Features & Benefits:

- 4" centerset deck mount mixing faucet w/ polished chrome plated brass body and integral spout
- 0.5 GPM vandal resistant non-aerated spray device, Series 8 (B-0199-08-N05)
- Quarter-turn Cerama cartridges
- 4" wrist action handles w/ color coded indexes
- Vandal resistant screws
- 1/2" NPSM male inlets w/ coupling nuts
- Material: Polished chrome plated brass body & spout and chrome plated metal handles

Product Compliance:

- ASME A112.18.1 / CSA B125.1
- NSF 61 - Section 9
- NSF 372 (Low Lead Content)
- ANSI A117.1 (ADA)



Warranty: One Year (Limited)

- Cerama Cartridge: Lifetime (Limited)

Performance Data:

- Pressure: 20 - 125 psi
- Temperature: 40 °F - 180 °F
- Flow Rate: 0.5 GPM @ 60 psi



Optional Outlets (Series 3 / VR Series 8)

GPM	Aerated	Non-Aerated (Laminar)	VR Aerated	VR Non-Aerated (VR Laminar)	Optional Handles	Optional Cartridges
0.35	N/A	<input type="checkbox"/> B-0199-03-N035	N/A	<input type="checkbox"/> B-0199-08-N035	<input type="checkbox"/> 4" Wrist Action (Standard)	<input type="checkbox"/> Quarter-Turn Cerama (Standard)
0.5	N/A	<input type="checkbox"/> B-0199-03-N05	N/A	<input type="checkbox"/> Standard	<input type="checkbox"/> Lever	<input type="checkbox"/> Eterna
1.0	N/A	N/A	N/A	<input type="checkbox"/> B-0199-08-LF10	<input type="checkbox"/> 4-Arm	<input type="checkbox"/> Quarter-Turn Eterna
1.2	<input type="checkbox"/> B-0199-03-F12	N/A	<input type="checkbox"/> B-0199-08-F12	N/A		<input type="checkbox"/> Push Button Metering
1.5	<input type="checkbox"/> B-0199-03-WS	N/A	<input type="checkbox"/> B-0199-08-WS	<input type="checkbox"/> B-0199-08-LF15		<input type="checkbox"/> Pivot Action Metering
2.2	<input type="checkbox"/> B-0199-03	<input type="checkbox"/> B-0199-26	<input type="checkbox"/> B-0199-08	<input type="checkbox"/> B-0199-28		<input type="checkbox"/> Wrist Action Metering

