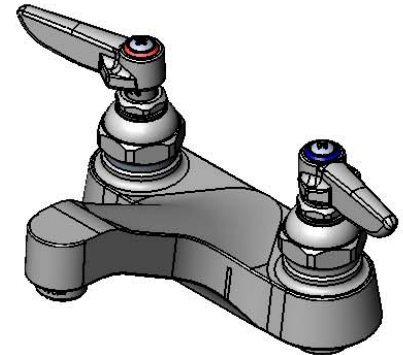
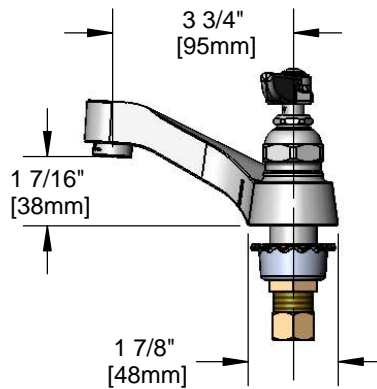
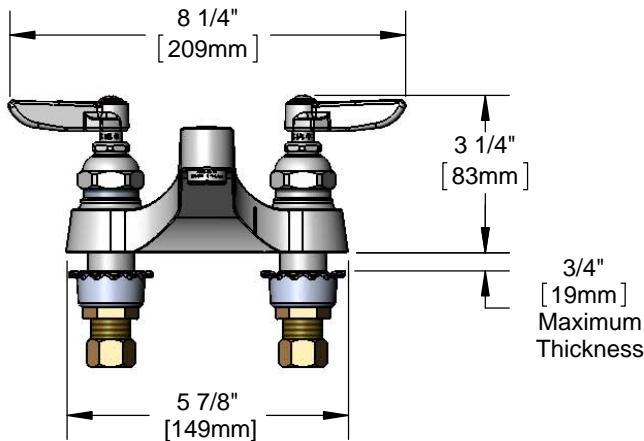




Architect/Engineering Specifications:

4" deck mount mixing faucet with polished chrome plated brass body and integral spout, 0.5 GPM non-aerated spray device, compression cartridges, lever handles and 1/2" NPSM male inlets. Certified to ASME A112.18.1/CSA B125.1, NSF 61-Section 9 and NSF 372. Meets ADA ANSI/ICC A117.1 requirements.

| | |
|----------------------------|----------------|
| Job Name _____ | |
| Model Specified _____ | Quantity _____ |
| Variations Specified _____ | |
| Date _____ | |



Features & Benefits:

- 4" deck mount mixing faucet w/ polished chrome plated brass body and integral spout
- 0.5 GPM aerator, Series 3 (B-0199-03-N05)
- Eterna compression cartridges
- Lever handles with color coded indexes
- 1/2" NPSM male inlets with coupling nuts
- Material: Polished chrome plated brass body & spout, chrome plated metal handles

Product Compliance:

- ASME A112.18.1 / CSA B125.1
- NSF 61 - Section 9
- NSF 372 (Low Lead Content)
- ANSI A117.1 (ADA)



Warranty: One Year (Limited)

Performance Data:

- Pressure: 20 - 125 psi
- Temperature: 40 °F - 140 °F
- Flow Rate: 0.5 GPM @ 60 psi



ADA Compliant

Optional Outlets (Series 3 / VR Series 8)

| GPM | Aerated | Non-Aerated (Laminar) | VR Aerated | VR Non-Aerated (VR Laminar) | Optional Handles | Optional Cartridges |
|------|---------------------------------------|---|---------------------------------------|---|---|--|
| 0.35 | N/A | <input type="checkbox"/> B-0199-03-N035 | N/A | <input type="checkbox"/> B-0199-08-N035 | <input type="checkbox"/> 4" Wrist Action | <input type="checkbox"/> Quarter-Turn Cerama |
| 0.5 | N/A | Standard | N/A | <input type="checkbox"/> B-0199-08-N05 | <input type="checkbox"/> Lever (Standard) | <input type="checkbox"/> Eterna (Standard) |
| 1.0 | N/A | N/A | N/A | <input type="checkbox"/> B-0199-08-LF10 | <input type="checkbox"/> 4-Arm | <input type="checkbox"/> Quarter-Turn Eterna |
| 1.5 | <input type="checkbox"/> B-0199-03-WS | N/A | <input type="checkbox"/> B-0199-08-WS | <input type="checkbox"/> B-0199-08-LF15 | | <input type="checkbox"/> Push Button Metering |
| 2.2 | <input type="checkbox"/> B-0199-03 | <input type="checkbox"/> B-0199-26 | <input type="checkbox"/> B-0199-08 | <input type="checkbox"/> B-0199-28 | | <input type="checkbox"/> Pivot Action Metering |
| | | | | | | <input type="checkbox"/> Wrist Action Metering |

