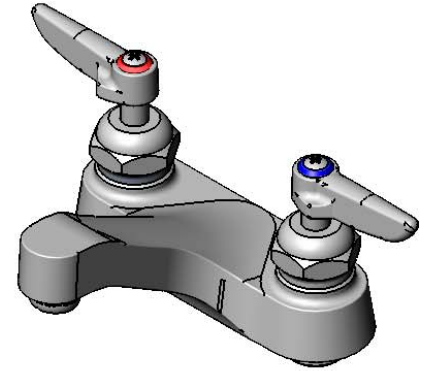
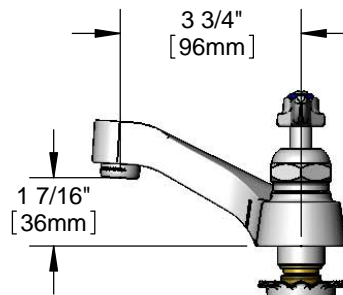
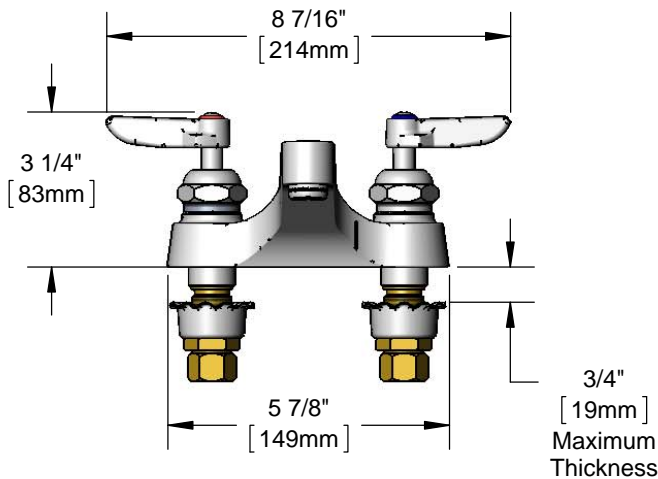




#### Architect/Engineering Specifications:

4" centerset deck mount mixing faucet with polished chrome plated brass body and integral spout, 2.2 GPM aerator, ceramic cartridges, lever handles and 1/2" NPSM male inlets. Certified to ASME A112.18.1/CSA B125.1, NSF 61-Section 9 and NSF 372. Meets ADA ANSI/ICC A117.1 requirements.

Job Name \_\_\_\_\_  
 Model Specified \_\_\_\_\_ Quantity \_\_\_\_\_  
 Variations Specified \_\_\_\_\_  
 Date \_\_\_\_\_



#### Features & Benefits:

- 4" centerset deck mount mixing faucet w/ polished chrome plated brass body and integral spout
- 2.2 GPM aerator, Series 3 (B-0199-03)
- Cerama cartridges
- Lever handles w/ color coded indexes
- 1/2" NPSM male inlets w/ coupling nuts
- Material: Polished chrome plated brass body & spout and chrome plated metal handles

#### Product Compliance:

- ASME A112.18.1 / CSA B125.1
- NSF 61 - Section 9
- NSF 372 (Low Lead Content)
- ANSI A117.1 (ADA)



#### Warranty: One Year (Limited)

- Cerama Cartridge: Lifetime (Limited)



#### Performance Data:

- Pressure: 20 - 125 psi
- Temperature: 40°F - 180°F
- Flow Rate: 2.20 GPM @ 60 psi

#### Optional Outlets (Series 3 / VR Series 8)

| GPM  | Aerated                               | Non-Aerated (Laminar)                   | VR Aerated                            | VR Non-Aerated (VR Laminar)              | Optional Handles                         | Optional Cartridges  |
|------|---------------------------------------|---|---------------------------------------|--|--|--|
| 0.35 | N/A                                   | <input type="checkbox"/> B-0199-03-N035 | N/A                                   | <input type="checkbox"/> B-0199-08-N035  | <input type="checkbox"/> 4" Wrist Action | <input type="checkbox"/> Quarter Turn Cerama (Std)   |
| 0.5  | N/A                                   | <input type="checkbox"/> B-0199-03-N05  | N/A                                   | <input type="checkbox"/> B-0199-08-N05   | <input type="checkbox"/> Lever (Std)     | <input type="checkbox"/> Eterna  |
| 1.0  | N/A                                   | N/A                                     | N/A                                   | <input type="checkbox"/> B-0199-08-LF-10 | <input type="checkbox"/> 4-Arm           | <input type="checkbox"/> Quarter Turn Eterna   |
| 1.5  | <input type="checkbox"/> B-0199-03-WS | N/A                                     | <input type="checkbox"/> B-0199-08-WS | N/A                                      |  | <input type="checkbox"/> Push Button Metering  |
| 2.2  | Standard                              | <input type="checkbox"/> B-0199-26      | <input type="checkbox"/> B-0199-08    | <input type="checkbox"/> B-0199-28       |  | <input type="checkbox"/> Pivot Action Metering<br><input type="checkbox"/> Wrist Action Metering |

