



# Medical and Lavatory Faucets B-0836

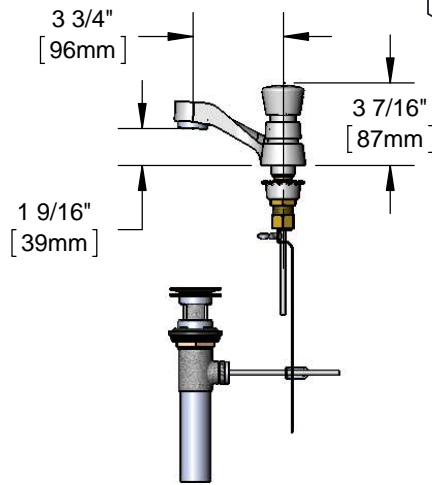
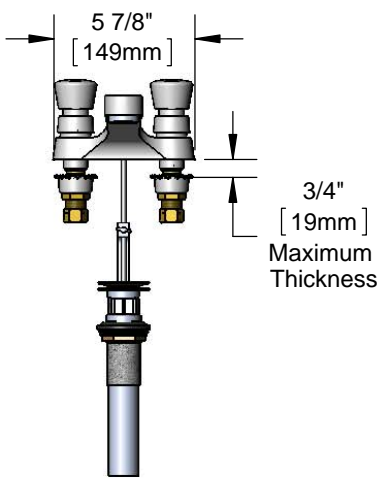
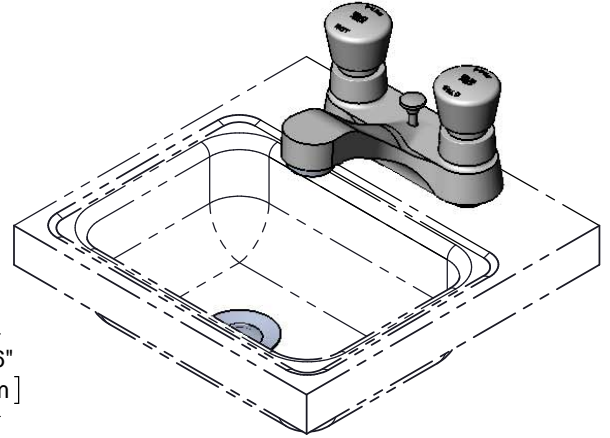
TAG:

## Slow Self-Closing Metering Faucet

### Architect/Engineering Specifications:

4" centerset deck mount lavatory faucet with polished chrome plated brass cast body, drip proof spray face, metering cartridges, push button caps, pop-up drain & 1/2" NPSM male inlets with coupling nuts. Certified to ASME A112.18.1/CSA B125.1, NSF 61-Section 9 and NSF 372. Meets ADA ANSI/ICC A117.1 requirements

Job Name \_\_\_\_\_  
 Model Specified \_\_\_\_\_ Quantity \_\_\_\_\_  
 Variations Specified \_\_\_\_\_  
 Date \_\_\_\_\_



### Features & Benefits:

- 4" centerset deck mount lavatory faucet with polished chrome plated brass cast body
- Drip proof spray face
- Metering cartridges
- Adjustable metering cycle, 10 to 30 seconds
- Push button (hot & cold) caps w/ vandal resistant screw
- 1/2" NPSM male inlets with coupling nuts
- Pop-up drain
- Material: polished chrome plated Brass cast body & pop-up drain body, chrome plated metal caps

### Product Compliance:

- ASME A112.18.1 / CSA B125.1
- NSF 61 - Section 9
- NSF 372 (Low Lead Content)
- ANSI A117.1 (ADA)

### Warranty: One Year (Limited)

### Performance Data:

- Pressure: 20 - 125 psi
- Temperature: 40°F - 140°F
- Flow Rate: 7.04 GPM @ 60 psi
- Water Consumption: @ 10 sec = 1.17 gal  
@ 15 sec = 1.76 gal



ADA Compliant



T&S BRASS AND BRONZE WORKS, INC.



• 2 Saddleback Cove • Travelers Rest, SC 29690  
 Ph 800-476-4103 • Fax 864-834-3518  
 • Simi Valley, CA • Ph 800-423-0150 • www.tsbrass.com

Date: 11/25/15