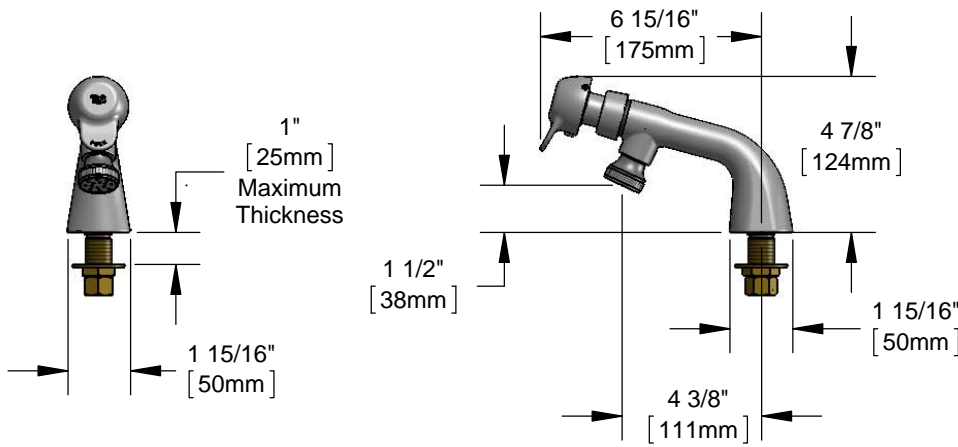
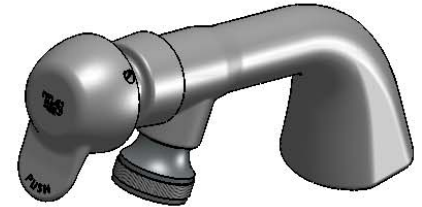




#### Architect/Engineering Specifications:

Single hole, single temperature deck mount faucet with polished chrome plated brass body, rosespray outlet, metering cartridge, pivot action handle and 1/2" NPSM male inlet. Certified to ASME A112.18.1/CSA B125.1, NSF 61-Section 9 and NSF 372. Meets ADA ANSI/ICC A117.1 requirements.

Job Name \_\_\_\_\_  
 Model Specified \_\_\_\_\_ Quantity \_\_\_\_\_  
 Variations Specified \_\_\_\_\_  
 Date \_\_\_\_\_



#### Features & Benefits:

- Single hole, single temperature deck mount faucet w/ polished chrome plated brass body
- Rosespray outlet, Series 2
- Metering cartridge
- Adjustable metering cycle, 10 to 30 seconds
- Blank pivot action handle w/ vandal resistant screw
- 1/2" NPSM male inlet
- Material: Polished chrome plated brass body and chrome plated metal push button cap

#### Product Compliance:

- ASME A112.18.1 / CSA B125.1
- NSF 61 - Section 9
- NSF 372 (Low Lead Content)
- ANSI A117.1 (ADA)



**Warranty:** One Year (Limited)

#### Performance Data:

- Pressure: 20 - 125 psi
- Temperature: 40 °F - 140 °F
- Flow Rate: 3.54 GPM @ 60 psi
- Water Consumption: @ 10 sec = .59 gal  
@ 15 sec = .89 gal



ADA Compliant

#### Optional Outlets (Series 2 / VR Series 7)

GPM	Aerated	Non-Aerated (Laminar)	VR Aerated	VR Non-Aerated (VR Laminar)
0.35	N/A	<input type="checkbox"/> B-0199-02-N035	N/A	<input type="checkbox"/> B-0199-07-N035
0.5	N/A	<input type="checkbox"/> B-0199-02-N05	N/A	<input type="checkbox"/> B-0199-07-N05
1.0	<input type="checkbox"/> B-0199-02-F10	N/A	<input type="checkbox"/> B-0199-07-F10	N/A
1.2	<input type="checkbox"/> B-0199-02-F12	N/A	<input type="checkbox"/> B-0199-07-F12	N/A
1.5	<input type="checkbox"/> B-0199-02-WS	N/A	<input type="checkbox"/> B-0199-07-WS	N/A
2.2	<input type="checkbox"/> B-0199-02	N/A	<input type="checkbox"/> B-0199-07	N/A

#### Optional Cartridges

- Push Button Metering
- Pivot Action Metering (Standard)
- Wrist Action Metering

