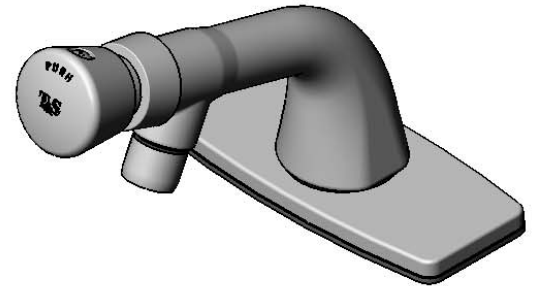
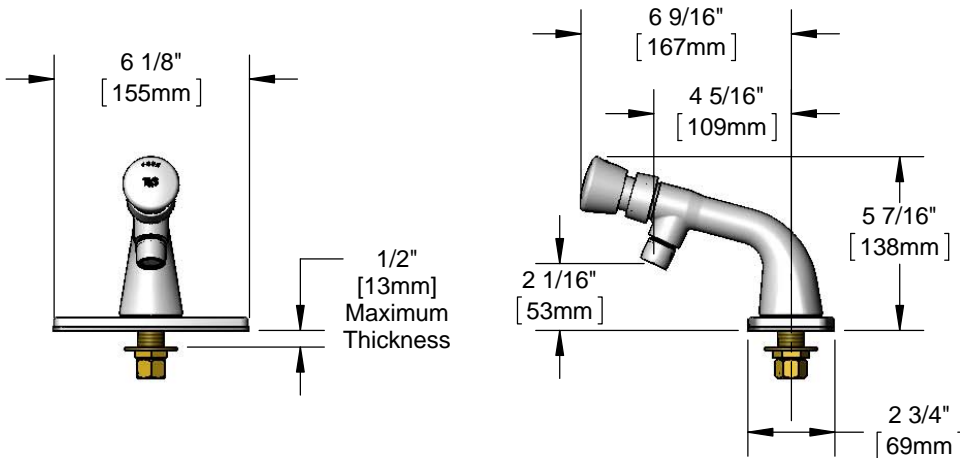




Architect/Engineering Specifications:

Single hole, single temperature, deck mount faucet with polished chrome plated brass body, 2.2 GPM aerator, metering cartridge, push button cap, 1/2" NPSM male inlet and 6" deck plate. Certified to ASME A112.18.1/CSA B125.1, NSF 61-Section 9, and NSF 372. Meets ADA ANSI/ICC A117.1 requirements.

Job Name _____
 Model Specified _____ Quantity _____
 Variations Specified _____
 Date _____



Features & Benefits:

- Single hole, single temperature deck mount faucet
- 2.2 GPM aerator, Series 2 (B-0199-02)
- Metering cartridge
- Adjustable metering cycle, 10 to 30 seconds
- Blank push button cap w/ vandal resistant screw
- 1/2" NPSM male inlet with coupling nut
- 6" chrome deck plate with deck gasket
- Material: Polished chrome plated brass body and deck plate, chrome plated push button

Product Compliance:

- ASME A112.18.1 / CSA B125.1
- NSF 61 - Section 9
- NSF 372 (Low Lead Content)
- ANSI A117.1 (ADA)



Warranty: One Year (Limited)

Performance Data:

- Pressure: 20 - 125 psi
- Temperature: 40°F - 140°F
- Flow Rate: 2.2 GPM @ 60 psi
- Water Consumption: @ 10 sec = 0.37 gal
@ 15 sec = 0.55 gal



ADA Compliant

Optional Outlets (Series 2 / VR Series 7)

| GPM | Aerated | Non-Aerated (Laminar) | VR Aerated | VR Non-Aerated (VR Laminar) | Optional Cartridges |
|------|--|---|--|---|--|
| 0.35 | N/A | <input type="checkbox"/> B-0199-02-N035 | N/A | <input type="checkbox"/> B-0199-07-N035 | <input type="checkbox"/> Push Button Metering (Standard) |
| 0.5 | N/A | <input type="checkbox"/> B-0199-02-N05 | N/A | <input type="checkbox"/> B-0199-07-N05 | <input type="checkbox"/> Pivot Action Metering |
| 1.0 | <input type="checkbox"/> B-0199-02-F10 | N/A | <input type="checkbox"/> B-0199-07-F10 | N/A | <input type="checkbox"/> Wrist Action Metering |
| 1.5 | <input type="checkbox"/> B-0199-02-WS | N/A | <input type="checkbox"/> B-0199-07-WS | N/A | |
| 2.2 | Standard | N/A | <input type="checkbox"/> B-0199-07 | N/A | |

