



**Single Sill Faucets**  
**B-0737**

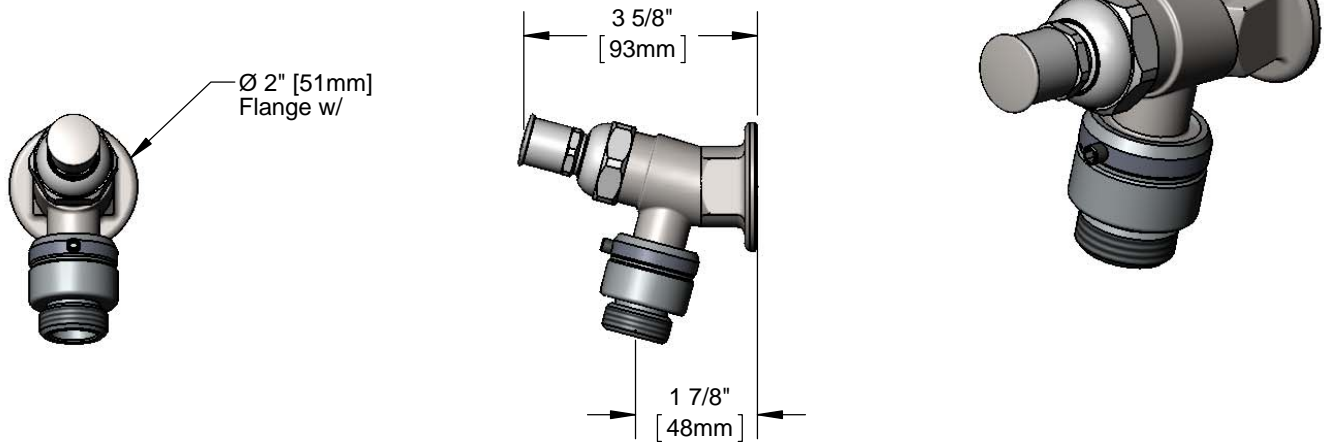
TAG:

*Single Sill with Vacuum Breaker*

**Architect/Engineering Specifications:**

Single hole, single temperature, wall mount faucet with polished chrome plated brass body, loose key stop, vacuum breaker with 3/4" garden hose male outlet and 3/4" NPT female inlet. Certified to ASME A112.18.1/CSA B125.1, NSF 61-Section 9, NSF 372, and ASSE 1011.

Job Name \_\_\_\_\_  
 Model Specified \_\_\_\_\_ Quantity \_\_\_\_\_  
 Variations Specified \_\_\_\_\_  
 Date \_\_\_\_\_



**Features & Benefits:**

- Single hole, single temperature, wall mount faucet with polished chrome plated brass body
- Loose key style shutoff, controlled by tee handle (included) or screwdriver
- Vacuum breaker w/ male garden hose outlet
- Loose key or screwdriver controlled handle
- 3/4" NPT female inlet with Ø 2" flange
- Material: Polished chrome plated brass body, chrome plated metal handle

**Product Compliance:**

- ASME A112.18.1 / CSA B125.1
- NSF 61 Exempt (Non-Potable)
- NSF 372 (Low Lead Content)
- ASSE 1011 (VB)

**Warranty:** One Year (Limited)

**Performance Data:**

- Pressure: 20 - 125 psi
- Temperature: 40 °F - 140 °F
- Flow Rate: 9.10 GPM @ 60 psi



**T&S BRASS AND BRONZE WORKS, INC.**



• 2 Saddleback Cove • Travelers Rest, SC 29690  
 Ph 800-476-4103 • Fax 864-834-3518  
 • Simi Valley, CA • Ph 800-423-0150 • www.tsbrass.com

Date: 05/14/15