



# Single Sill Faucets

## B-0737-POL

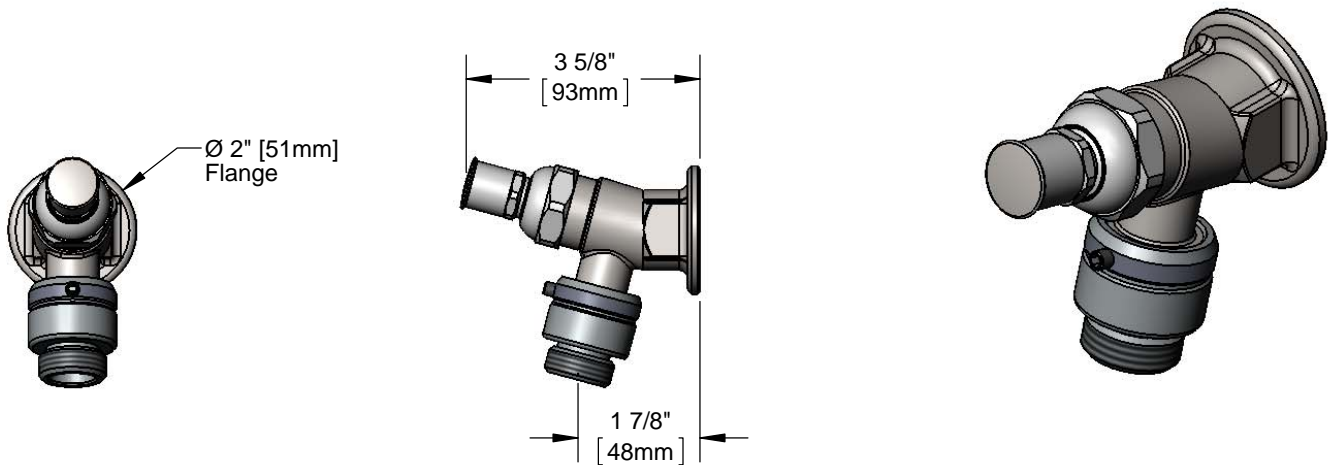
TAG:

### Sill Faucet with Vacuum Breaker

#### Architect/Engineering Specifications:

Single hole, wall mount faucet with polished chrome plated brass body, vacuum breaker with male garden hose outlet, compression cartridge, loose key style shutoff with tee handle and 1/2" NPT female inlet. Certified to ASME A112.18.1/CSA B125.1, NSF 61-Section 9 and NSF 372.

Job Name \_\_\_\_\_  
 Model Specified \_\_\_\_\_ Quantity \_\_\_\_\_  
 Variations Specified \_\_\_\_\_  
 Date \_\_\_\_\_



#### Features & Benefits:

- Single hole, wall mount faucet with polished chrome plated brass body
- Vacuum breaker w/ male garden hose outlet
- Compression cartridge
- Loose key style shutoff, controlled by tee handle (included) or screwdriver
- 3/4" NPT female inlet with Ø 2" flange
- Material: Polished chrome plated brass body and chrome plated metal handle

#### Product Compliance:

- ASME A112.18.1 / CSA B125.1
- NSF 61 - Section 9
- NSF 372 (Low Lead Content)
- ASSE 1011 (VB)

**Warranty:** One Year (Limited)

#### Performance Data:

- Pressure: 20 - 125 psi
- Temperature: 40°F - 140°F
- Flow Rate: 9.10 GPM @ 60 psi



T&S BRASS AND BRONZE WORKS, INC.



• 2 Saddleback Cove • Travelers Rest, SC 29690  
 Ph 800-476-4103 • Fax 864-834-3518  
 • Simi Valley, CA • Ph 800-423-0150 • www.tsbrass.com

Date: 03/17/15