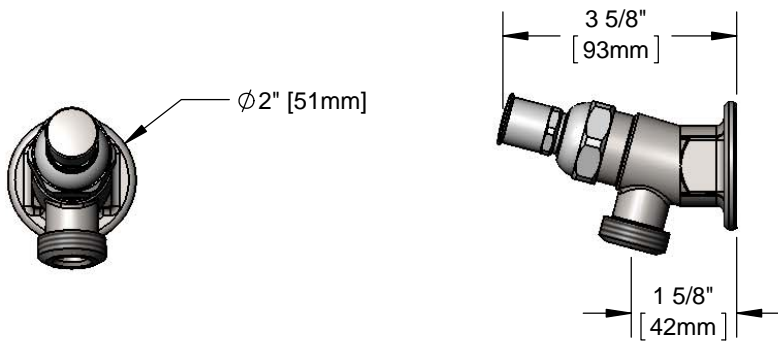
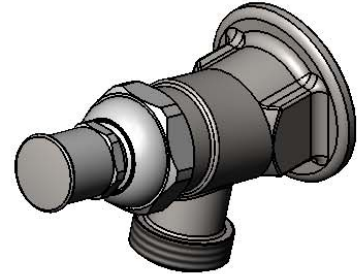




#### Architect/Engineering Specifications:

Single hole, single temperature, wall mount faucet with rough chrome plated brass body, garden hose male outlet, compression cartridge, key or screwdriver controlled handle and 3/4" NPT female inlet. Certified to ASME A112.18.1/CSA B125.1, NSF 61-Section 9 and NSF 372.

Job Name \_\_\_\_\_  
 Model Specified \_\_\_\_\_ Quantity \_\_\_\_\_  
 Variations Specified \_\_\_\_\_  
 Date \_\_\_\_\_



#### Features & Benefits:

- Single hole, single temperature wall mount faucet
- Garden hose male outlet
- Compression cartridge
- Key or screwdriver controlled handle
- 3/4" NPT female inlet with  $\phi 2"$  flange
- Material: Rough chrome plated brass body, chrome plated metal handle

#### Product Compliance:

- ASME A112.18.1 / CSA B125.1
- NSF 61 - Section 9
- NSF 372 (Low Lead Content)



**Warranty:** One Year (Limited)

#### Performance Data:

- Pressure: 20 - 125 psi
- Temperature: 40 °F - 140 °F
- Flow Rate: 9.10 GPM @ 60 psi

#### Optional Cartridges

- Quarter-Turn Cerama
- Eterna
- Quarter-Turn Eterna
- Push Button Metering
- Pivot Action Metering
- Wrist Action Metering

#### Optional Handles

- 4" Wrist Action
- Lever
- 4-Arm

