



Single Sill Faucets

B-0720

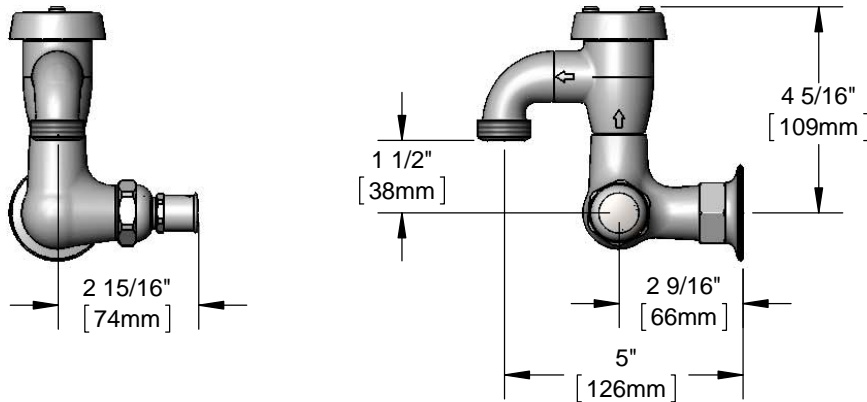
TAG:

Sill Faucet with Vacuum Breaker

Architect/Engineering Specifications:

Single temperature, wall mount faucet with polished chrome plated brass body, garden hose outlet, atmospheric vacuum breaker, compression cartridge, key or screwdriver controlled handle and 1/2" NPT female inlet. Certified to ASME A112.18.1/CSA B125, NSF 61-Section 9, NSF 372 and ASSE 1001.

Job Name _____
 Model Specified _____ Quantity _____
 Variations Specified _____
 Date _____



Features & Benefits:

- Single hole, single temperature wall mount faucet
- Garden hose outlet
- Atmospheric vacuum breaker
- Compression cartridge
- Key or screwdriver controlled handle
- 1/2" NPT female inlet with $\phi 2"$ flange
- Material: Polished chrome plated brass body, chrome plated metal handle

Product Compliance:

- ASME A112.18.1 / CSA B125.1
- NSF 61 - Section 9
- NSF 372 (Low Lead Content)
- ASSE 1001 (VB)



Warranty: One Year (Limited)

Performance Data:

- Pressure: 20 - 125 psi
- Temperature: 40 °F - 140 °F
- Flow Rate: 4.04 GPM @ 60 psi



Optional Handles

- 4" Wrist Action
- Lever
- 4-Arm

Optional Cartridges

- Quarter-Turn Cerama
- Eterna
- Quarter-Turn Eterna



T&S BRASS AND BRONZE WORKS, INC.



• 2 Saddleback Cove • Travelers Rest, SC 29690
 Ph 800-476-4103 • Fax 864-834-3518
 • Simi Valley, CA • Ph 800-423-0150 • www.tsbrass.com

Date: 02/29/16