



Sill and Heavy Duty Sink Faucets

B-0702-WH4

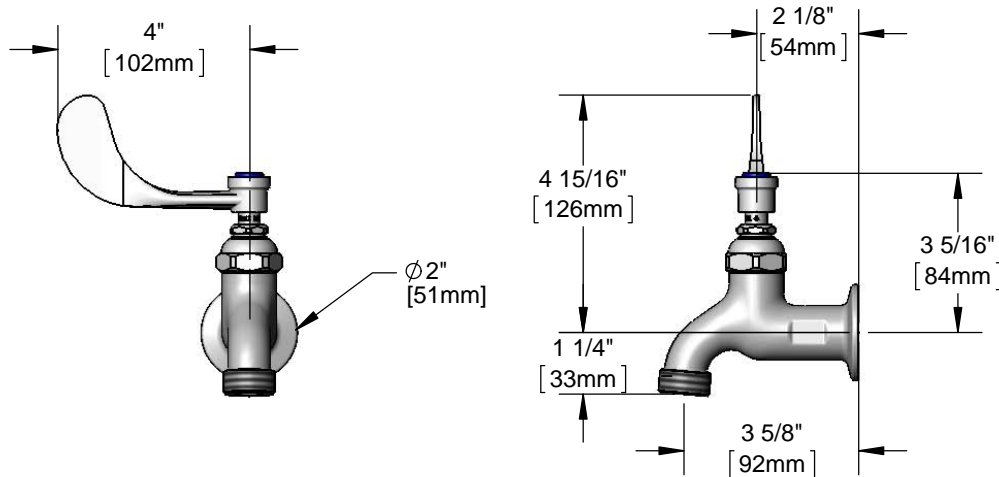
TAG:

Single Sink Faucet

Architect/Engineering Specifications:

Single hole, single temperature, wall mount faucet with polished chrome plated brass body, garden hose male outlet, compression cartridge, 4" wrist action handle and 1/2" NPT female inlet. Certified to ASME A112.18.1/CSA B125.1, NSF 61-Section 9 and NSF 372. Meets ADA ANSI/ICC A117.1 requirements.

Job Name _____
Model Specified _____ Quantity _____
Variations Specified _____
Date _____



Features & Benefits:

- Single hole, single temperature wall mount faucet w/ polished chrome plated brass body
- Garden hose male outlet
- Eterna compression cartridge
- 4" wrist action handle with color coded index
- 1/2" NPT female inlet
- Material: Polished chrome plated brass body and chrome plated metal handle

Product Compliance:

- ASME A112.18.1 / CSA B125.1
- NSF 61 - Section 9
- NSF 372 (Low Lead Content)
- ANSI A117.1 (ADA)



Warranty: One Year (Limited)

Performance Data:

- Pressure: 20 - 125 psi
- Temperature: 40 °F - 140 °F
- Flow Rate: 6.25 GPM @ 60 psi



Optional Handles

- 4" Wrist Action (Standard)
- Lever
- 4-Arm

Optional Cartridges

- Quarter -Turn Cerama
- Eterna (Standard)
- Quarter- turn Eterna



T&S BRASS AND BRONZE WORKS, INC.



• 2 Saddleback Cove • Travelers Rest, SC 29690
 Ph 800-476-4103 • Fax 864-834-3518
 • Simi Valley, CA • Ph 800-423-0150 • www.tsbrass.com

Date: 08/24/16