



# Sill and Heavy Duty Sink Faucets

## B-0702-CR

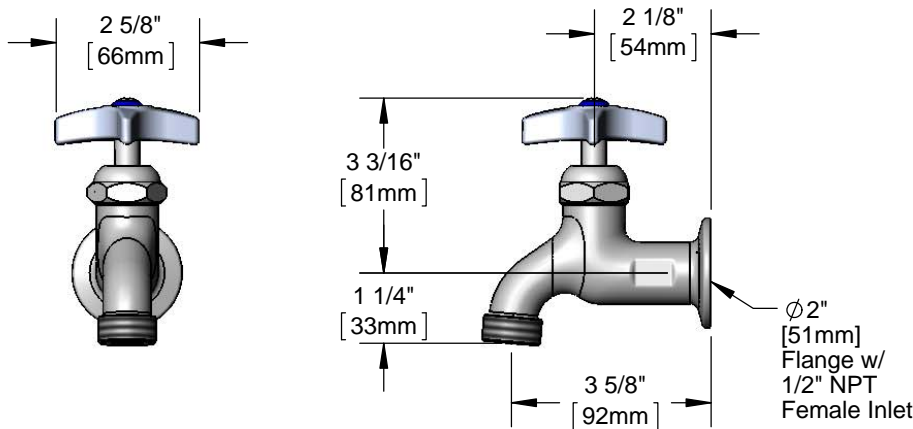
TAG:

### Single Sink Faucet

#### Architect/Engineering Specifications:

Single hole, single temperature wall mount faucet with polished chrome plated brass body, garden hose male outlet, ceramic cartridge, 4-arm handle and 1/2" NPT female inlet. Certified to ASME A112.18.1/CSA B125.1, NSF 61-Section 9 and NSF 372. Meets ADA ANSI/ICC A117.1 requirements.

Job Name \_\_\_\_\_  
 Model Specified \_\_\_\_\_ Quantity \_\_\_\_\_  
 Variations Specified \_\_\_\_\_  
 Date \_\_\_\_\_



#### Features & Benefits:

- Single hole, single temperature wall mount faucet w/ polished chrome plated brass body
- Garden hose male outlet
- Quarter-turn Cerama cartridge
- 4-arm handle with color coded index
- 1/2" NPT female inlet with Ø2" flange
- Material: Polished chrome plated brass body and chrome plated metal handle

#### Product Compliance:

- ASME A112.18.1 / CSA B125.1
- NSF 61 - Section 9
- NSF 372 (Low Lead Content)
- ANSI A117.1 (ADA)



#### Warranty: One Year (Limited)

- Cerama Cartridge: Lifetime (Limited)

#### Performance Data:

- Pressure: 20 - 125 psi
- Temperature: 40°F - 180°F
- Flow Rate: 5.54 GPM @ 60 psi



ADA Compliant

#### Optional Handles

- 4" Wrist Action
- Lever
- 4-Arm (Standard)

#### Optional Cartridges

- Quarter-Turn Cerama (Standard)
- Eterna
- Quarter-Turn Eterna
- Push Button Metering
- Pivot Action Metering
- Wrist Action Metering



T&S BRASS AND BRONZE WORKS, INC.



• 2 Saddleback Cove • Travelers Rest, SC 29690  
 Ph 800-476-4103 • Fax 864-834-3518  
 • Simi Valley, CA • Ph 800-423-0150 • www.tsbrass.com

Date: 10/08/16