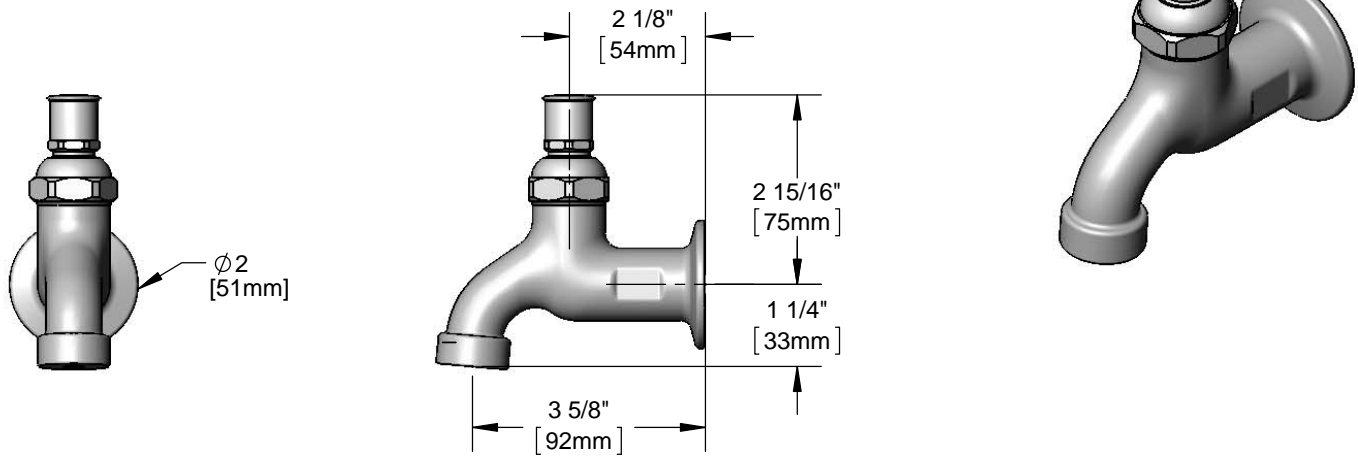




### Architect/Engineering Specifications:

Single hole, single temperature, wall mount faucet with polished chrome plated brass body, plain end outlet, compression cartridge, loose key stop with tee handle and 1/2" NPT female inlet. Certified to ASME A112.18.1/CSA B125.1, NSF 61-Section 9 and NSF 372.

Job Name	_____
Model Specified	_____ Quantity _____
Variations Specified	_____
Date	_____



### Features & Benefits:

- Single hole, single temperature wall mount faucet w/ polished chrome plated brass body
- Plain end outlet
- Compression cartridge
- Loose key style shutoff, controlled by the tee handle (Included) or screwdriver
- 1/2" NPT female inlet with  $\phi 2"$  flange
- Material: Polished chrome plated brass body and chrome plated metal handle

### Product Compliance:

- ASME A112.18.1 / CSA B125.1
- NSF 61 - Section 9
- NSF 372 (Low Lead Content)



**Warranty:** One Year (Limited)

### Performance Data:

- Pressure: 20 - 125 psi
- Temperature: 40 °F - 140 °F
- Flow Rate: 6.25 GPM @ 60 psi

### Optional Handles

- 4" Wrist Action
- Lever
- 4-Arm

### Optional Cartridges

- Quarter-Turn Cerama
- Eterna
- Quarter-turn Eterna

