



Architect/Engineering Specifications:

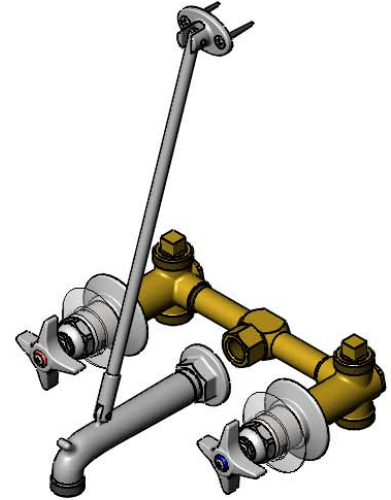
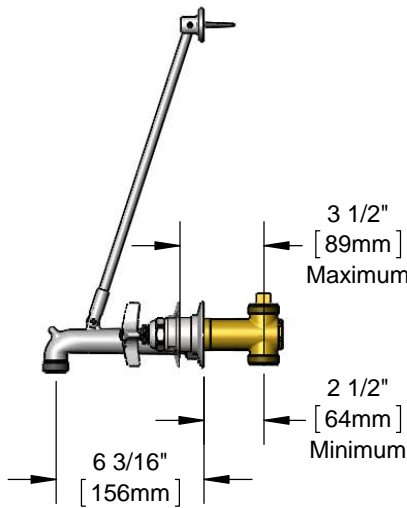
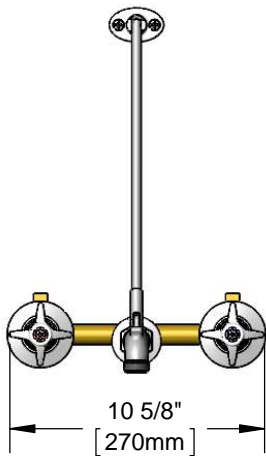
8" wall mount concealed mixing faucet with brass body, polished chrome plated brass spout with pail hook and garden hose outlet, compression cartridges, 4-arm handles, upper wall support rod and 1/2" NPT female inlets and outlet. Certified to ASME A112.18.1/CSA B125.1. Meets ADA ANSI/ICC A117.1 requirements

Job Name _____

Model Specified _____ Quantity _____

Variations Specified _____

Date _____



Features & Benefits:

- 8" concealed bypass mixing valve w/ 1/2" NPT female union inlet connections
- Ø2 3/16" polished chrome plated brass adjustable wall flanges & sleeves
- Polished chrome plated spout assembly w/ Ø2" wall flange, pail hook & male garden hose outlet
- Eterna compression cartridges
- 4-arm handles w/ color coded indexes
- 1/2" NPT female inlets (may be supplied from above or below)
- Upper wall support rod
- Material: Brass bodies with polished chrome plated adjustable flanges, support rod and chrome plated metal handles

Product Compliance:

- ASME A112.18.1 / CSA B125.1
- NSF 61 Exempt (Non-Potable)
- ANSI A117.1 (ADA)



ADA Compliant

Warranty: One Year (Limited)

Performance Data:

- Pressure: 20 - 125 psi
- Temperature: 40°F - 140°F
- Flow Rate: 11.06 GPM @ 60 psi

Optional Handles

- 4" Wrist Action
- Lever
- 4-Arm (Standard)

Optional Cartridges

- Quarter Turn Cerama
- Eterna (Standard)
- Quarter Turn Eterna
- Push Button Metering
- Pivot Action Metering
- Wrist Action Metering

