



Medical Bedpan Washers

B-0686

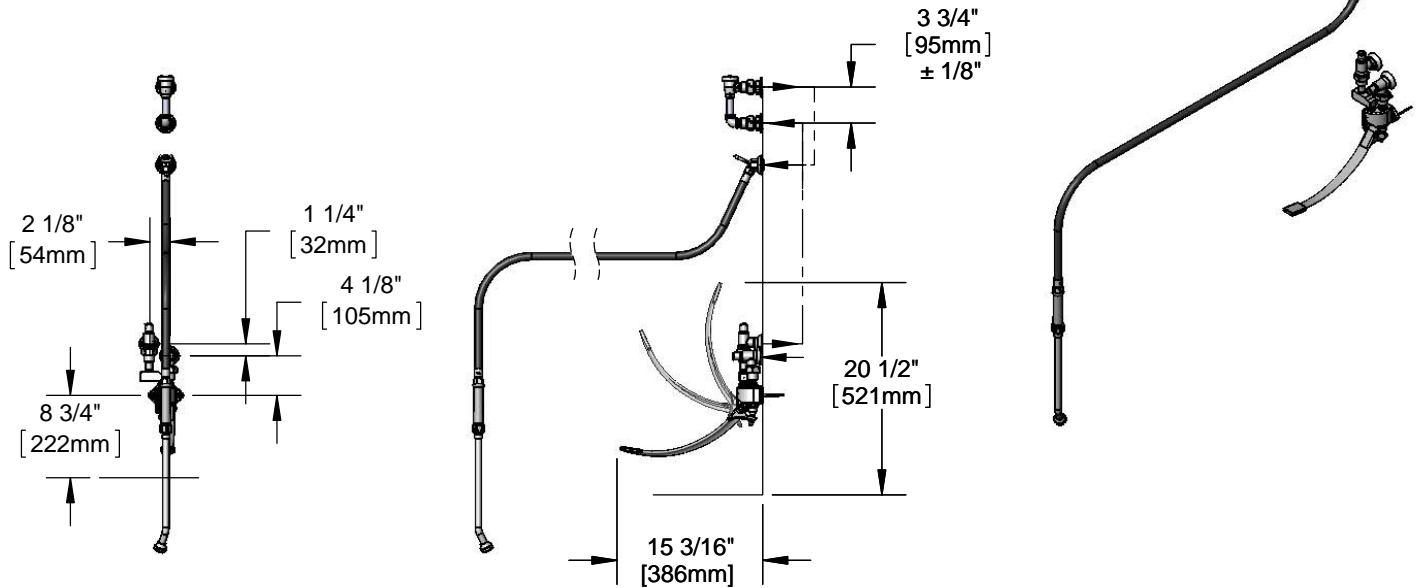
TAG:

Bedpan Washer

Architect/Engineering Specifications:

Wall mount single pedal valve with angled loose key stops, 3/8" NPT angled volume control, 3/8" NPT atmospheric vacuum breaker, 3/8" NPT wall hook outlet, vacuum breaker, extended nozzle and 68" PVC hose and 1/2" NPT female inlets. Certified to ASME A112.18.1/CSA B125.1 and ASSE 1001.

Job Name	_____
Model Specified	_____ Quantity _____
Variations Specified	_____
Date	_____



Features & Benefits:

- Wall mount single pedal valve with polished chrome plated brass body
- Pedal valve with 1/2" NPT female angled loose key stops
- Volume control valve with 3/8" NPT female outlet on pedal valve
- Wall hook with 3/8" NPT flange inlet
- Elevated vacuum breaker
- 68" PVC hose with extended spray nozzle
- Material: Polished chrome plated brass body and vacuum breaker

Product Compliance:

- ASME A112.18.1 / CSA B125.1
- ASSE 1001 (VB)



Warranty: One Year (Limited)

Performance Data:

- Pressure: 20 - 125 psi
- Temperature: 40°F - 140°F
- Flow Rate: 2.62 GPM @ 60 psi



T&S BRASS AND BRONZE WORKS, INC.



• 2 Saddleback Cove • Travelers Rest, SC 29690
 Ph 800-476-4103 • Fax 864-834-3518
 • Simi Valley, CA • Ph 800-423-0150 • www.tsbrass.com

Date: 08/24/16