



Medical Bedpan Washers

B-0682-ST

TAG:

Bedpan Washer

Architect/Engineering Specifications:

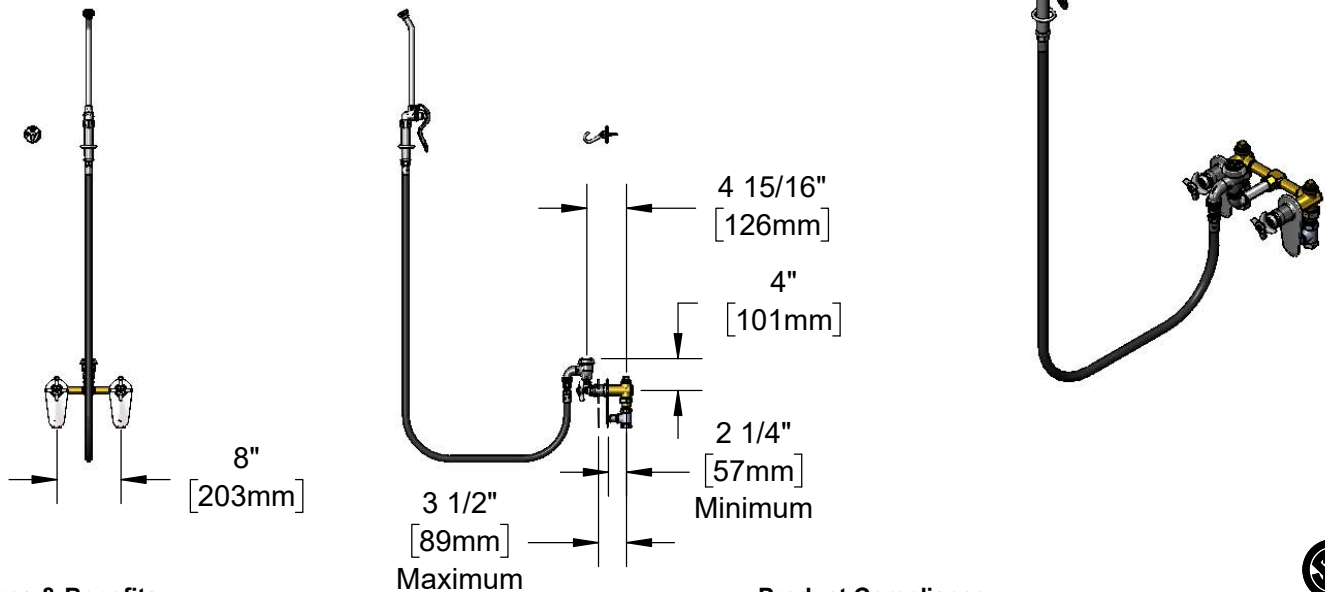
8" concealed bypass mixing valve with brass body and polished chrome plated brass adjustable wall flanges and sleeves, polished chrome plated spout with garden hose male outlet, compression cartridges with spring checks, 4-arm handles, 1/2" NPT female loose key straight stop inlets with tee handles, atmospheric vacuum breaker, wall hook, 68" reinforced PVC hose with spray valve and extended spray nozzle. Certified to ASME A112.18.1/CSA B125.1, NSF 61-section 9, NSF 372 and ASSE 1001.

Job Name _____

Model Specified _____ Quantity _____

Variations Specified _____

Date _____



Features & Benefits:

- 8" concealed bypass mixing valve w/ 1/2" NPT female union inlet connections
- 6" tall polished chrome plated brass adjustable wall flanges & sleeves
- Polished chrome plated spout w/ garden hose male outlet
- Quarter-turn Eterna compression cartridges w/ spring checks to prevent cross flow of water
- 4-arm handles w/ color coded indexes
- 1/2" NPT female loose key straight stop inlets w/ tee handles
- 1/2" NPT atmospheric vacuum breaker wall hook
- 68" reinforced PVC hose with spray valve and extended spray nozzle
- Material: Brass body, polished chrome plated brass adjustable flanges, vacuum breaker & wall hook and polished chrome plated metal handles

Product Compliance:

- ASME A112.18.1 / CSA B125.1
- NSF 61 - Section 9
- NSF 372 (Low Lead Content)
- ASSE 1001 (VB)

Warranty: One Year (Limited)

- PVC Hose: Two year (Limited)

Performance Data:

- Pressure: 20 - 125 psi
- Temperature: 40 °F - 140 °F
- Flow Rate: 4.86 GPM @ 60 psi



Optional Handles

- 4" Wrist Action
- Lever
- 4-Arm (Standard)

Optional Cartridges With Checks

- Quarter-Turn Cerama w/ Check Valve
- Quarter-Turn Eterna w/ Spring Check (Standard)



T&S BRASS AND BRONZE WORKS, INC.



• 2 Saddleback Cove • Travelers Rest, SC 29690
 Ph 800-476-4103 • Fax 864-834-3518
 • Simi Valley, CA • Ph 800-423-0150 • www.tsbrass.com

Date: 11/22/17