



# Medical Bedpan Washers

## B-0680-ST

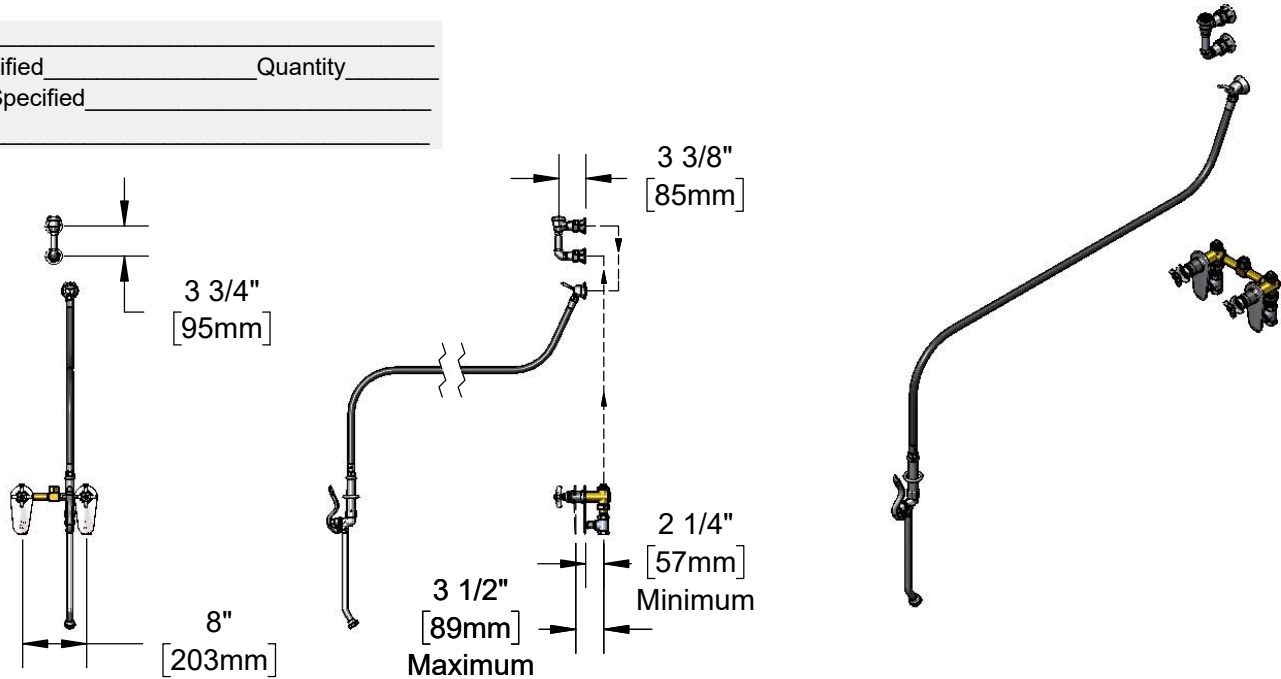
TAG:

### Bedpan Washer

#### Architect/Engineering Specifications:

8" concealed bypass mixing valve with brass body and polished chrome plated adjustable wall flanges and sleeves, 1/2" NPT female outlet, compression cartridges with spring checks, 4-arm handles, 1/2" NPT female loose key straight stop inlets with tee handles, atmospheric vacuum breaker, polished chrome plated brass wall outlet, 68" PVC reinforced hose with spray valve and extended spray nozzle. Certified to ASME A112.18.1/CSA B125.1, NSF 61-section 9, NSF 372 and ASSE 1001.

Job Name \_\_\_\_\_  
 Model Specified \_\_\_\_\_ Quantity \_\_\_\_\_  
 Variations Specified \_\_\_\_\_  
 Date \_\_\_\_\_



#### Features & Benefits:

- 8" concealed bypass mixing valve with 1/2" NPT female union inlet connections
- 6" tall polished chrome plated brass adjustable wall flanges and sleeves
- 1/2" NPT female outlet
- Quarter-turn Eterna compression cartridges w/ spring checks to prevent cross flow of water
- 4-arm handles and color coded indexes
- 1/2" NPT female loose key straight stop inlets with tee handles
- Elevated 1/2" NPT atmospheric vacuum breaker assembly
- 68" reinforced PVC hose with spray valve and extended spray nozzle
- Wall hook
- Material: Brass body, polished chrome plated spray valve body, vacuum breaker & adjustable flanges and polished chrome plated metal handles

#### Product Compliance:

- ASME A112.18.1 / CSA B125.1
- NSF 61 - Section 9
- NSF 372 (Low Lead Content)
- ANSI A117.1 (ADA)
- ASSE 1001 (VB)



**Warranty:** One Year (Limited)

#### Performance Data:

- Pressure: 20 - 125 psi
- Temperature: 40 °F - 140 °F
- Flow Rate: 4.55 GPM @ 60 psi

#### Optional Handles

- 4" Wrist Action
- Lever
- 4-Arm (Standard)

#### Optional Cartridges With Checks

- Quarter-Turn Cerama w/ Check Valve
- Quarter-Turn Eterna w/ Spring Check (Standard)



T&S BRASS AND BRONZE WORKS, INC.



• 2 Saddleback Cove • Travelers Rest, SC 29690  
 Ph 800-476-4103 • Fax 864-834-3518  
 • Simi Valley, CA • Ph 800-423-0150 • www.tsbrass.com

Date: 11/22/17