



# Medical Bedpan Washers

## B-0678

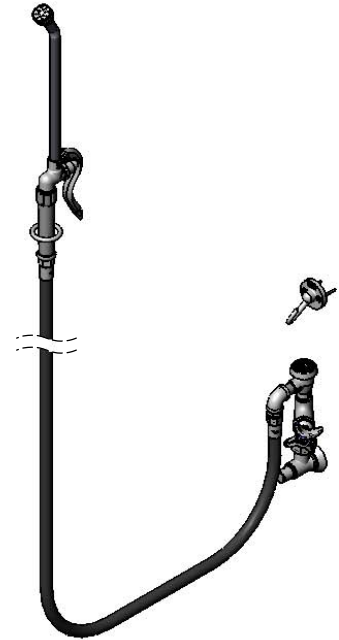
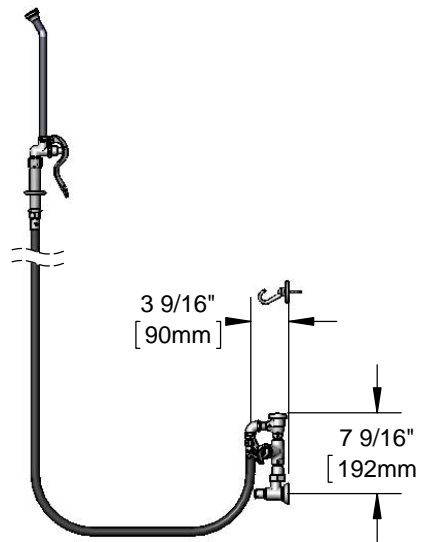
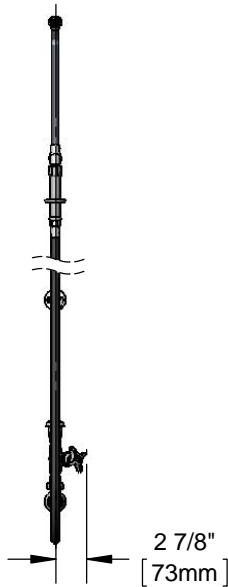
TAG:

### Bedpan Washer

#### Architect/Engineering Specifications:

Wall mount bed pan washer, angled loose key stop, control valve, 4-arm handle with color coded index, 3/8" atmospheric vacuum breaker, 68" PVC hose, spray valve with extended nozzle, wall hook and 1/2" NPT female inlet. Certified to ASME A112.18.1/CSA B125.1 and ASSE 1001

Job Name \_\_\_\_\_  
 Model Specified \_\_\_\_\_ Quantity \_\_\_\_\_  
 Variations Specified \_\_\_\_\_  
 Date \_\_\_\_\_



#### Features & Benefits:

- Wall mount bed pan washer with polished chrome plated brass body
- 3/8" atmospheric vacuum breaker
- 68" PVC hose with self-closing valve and extended spray nozzle
- Volume control valve with 4-arm handle and blue color coded index
- Eterna compression cartridge
- 1/2" NPT female angled loose key stop with tee handle
- Wall hook
- Material: Polished chrome plated brass body and vacuum breaker

#### Product Compliance:

- ASME A112.18.1 / CSA B125.1
- NSF 61 Exempt (Non-Potable)
- ASSE 1001 (VB)



#### Warranty: One Year (Limited)

#### Performance Data:

- Pressure: 20 - 125 psi
- Temperature: 40 °F - 140 °F
- Flow Rate: 3.45 GPM @ 60 psi



T&S BRASS AND BRONZE WORKS, INC.



• 2 Saddleback Cove • Travelers Rest, SC 29690  
 Ph 800-476-4103 • Fax 864-834-3518  
 • Simi Valley, CA • Ph 800-423-0150 • www.tsbrass.com

Date: 02/26/15