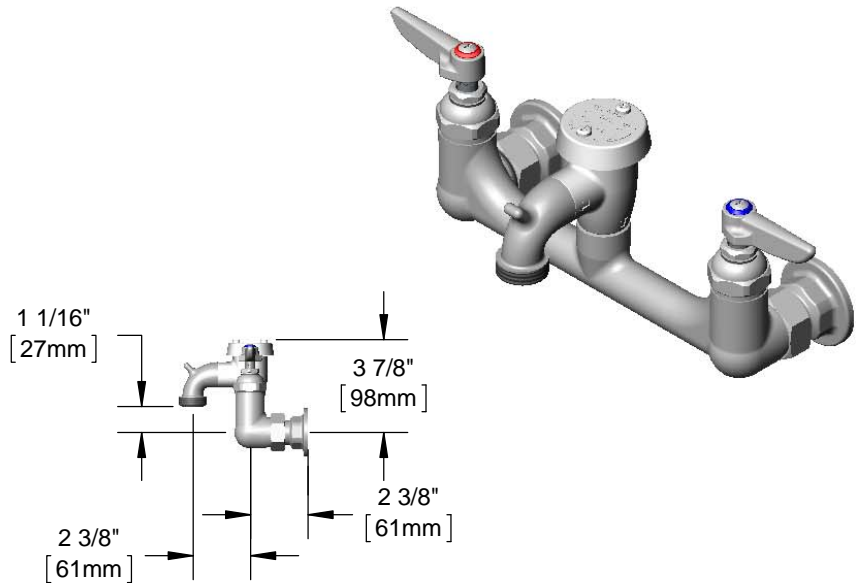
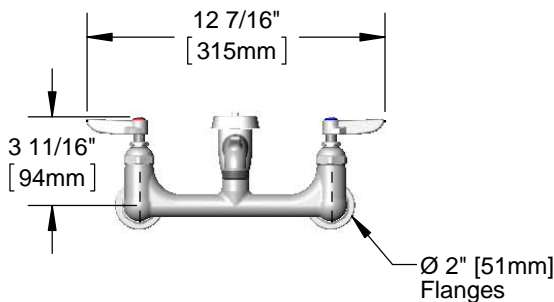




Architect/Engineering Specifications:

8" wall mount mixing faucet with rough chrome plated brass body, rough chrome plated brass spout with vacuum breaker, pail hook and garden hose male outlet, compression cartridges with spring checks, lever handles and 1/2" NPT female inlets. Certified to ASME A112.18.1/CSA B125.1 and ASSE 1001. Meets ADA ANSI/ICC A117.1 requirements.

Job Name _____	
Model Specified _____	Quantity _____
Variations Specified _____	
Date _____	



Features & Benefits:

- 8" wall mount mixing faucet with rough chrome plated brass body
- Vacuum breaker spout with pail hook & 3/4" garden hose male outlet
- Lever handles with color coded indexes
- Eterna cartridges with spring checks to prevent cross flow of water
- 1/2" NPT female eccentric inlets with Ø2" flanges
- Adjustable centers from 7 3/4" to 8 1/4"
- Material: Rough chrome plated brass body, spout & inlets and chrome plated metal handles

Product Compliance:

- ASME A112.18.1 / CSA B125.1
- NSF 61 Exempt (Non-Potable)
- ANSI A117.1 (ADA)
- ASSE 1001 (VB)



ADA Compliant

Warranty: One Year (Limited)

Performance Data:

- Pressure: 20 - 125 psi
- Temperature: 40°F - 140°F
- Flow Rate: 14.98 GPM @ 60 psi



Optional Handles

- 4" Wrist Action
- Lever (Standard)
- 4-Arm

Optional Cartridges With Checks

- Quarter Turn Cerama w/ Check Valve
- Quarter Turn Eterna w/ Spring Check (Standard)

